

BlancoWhite

C1 / R1

Antoni Arola, 2013

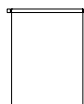
Wall lamps

C1 wall rotating



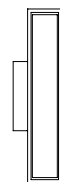
A

C1 wall rotating scene



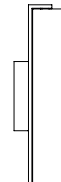
B

R1 wall



C

R1 wall rotating



D



A collection of wall lamps that fully harness the advantages of a thin LED plate. Comes in two formats – square and rectangular, either fixed or directional, and in two colours (graphite and white). The C1 model can also incorporate a metallic red sheet (enquire for others colours) for a personalised, bespoke lamp (Wall Scene).

GENERAL DESCRIPTION

Graphite metal structure with matte finish.
Fixed (C) or adjustable (A / B / D) models.
Wall Scene red sheet (B).

LIGHT SOURCE

(A / B)

Strip of 24 LEDs
Power system: 8 W
Operating voltage: 12 VDC
T^a Colour: 3.000 K
Typical CRI: 85
Lifetime: 40.000 h
Luminous flux: 288 lm

Built-in LED.
Energy efficiency class (E.E.C):
A⁺⁺...A.
Lamp suitable only for indoor use.
Always use this light source.

Input voltage: 90 ~ 264 VAC
(50 Hz / 60 Hz) According to destination.

(C / D)

Strip of 30 LEDs
Power system: 10 W
Operating voltage: 12 VDC
T^a Colour: 3.000 K
Typical CRI: 85
Lifetime: 40.000 h
Luminous flux: 360 lm



APPROXIMATE WEIGHT (unpacked)

- (A) BlancoWhite C1 wall rotating: 2 Kg / 4.4 lb
- (B) BlancoWhite C1 Wall rotating scene: 2 Kg / 4.4 lb
- (C) BlancoWhite R1 wall: 1,9 kg / 4.1 lb
- (D) BlancoWhite R1 wall rotating: 2,2 kg / 4.8 lb

REGULATIONS

CE

IP 20

UNE-EN 60598

UNE-EN 55015

UNE-EN 62031

UNE-EN 61000-3-2

UNE-EN 60529

UNE-EN 61347-2-13



Class 2

Dry location only

UL-1598

UL-8750

UL-336377

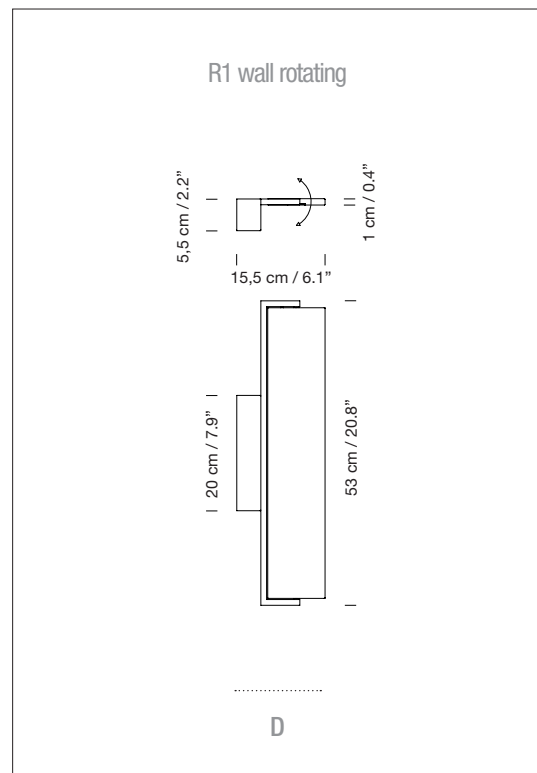
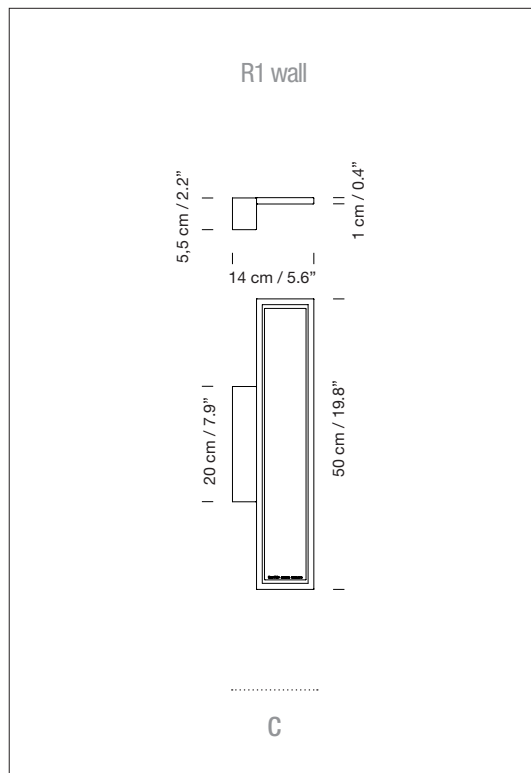
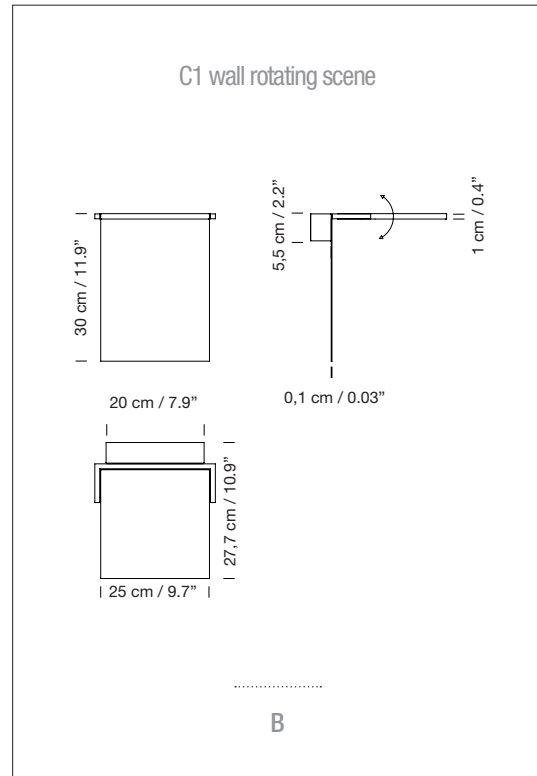
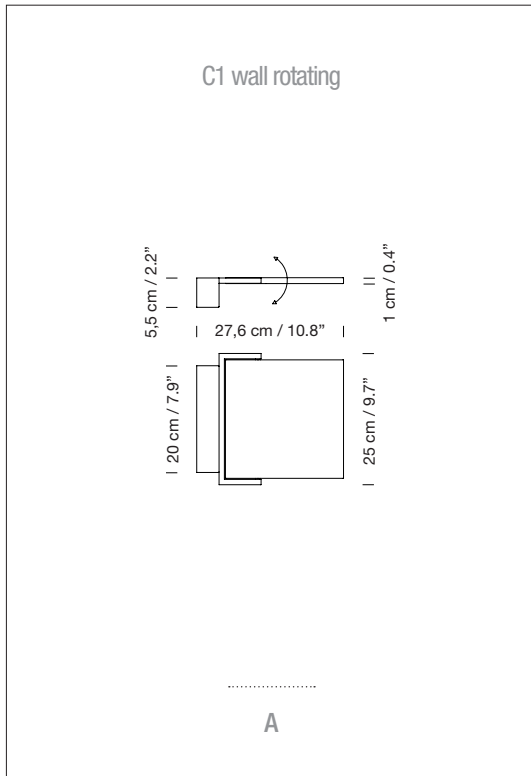
MAINTENANCE

Wipe clean with a soft cloth dampened with water. Do not use ammonia, solvents or abrasive cleaning products as these could damage the surface.

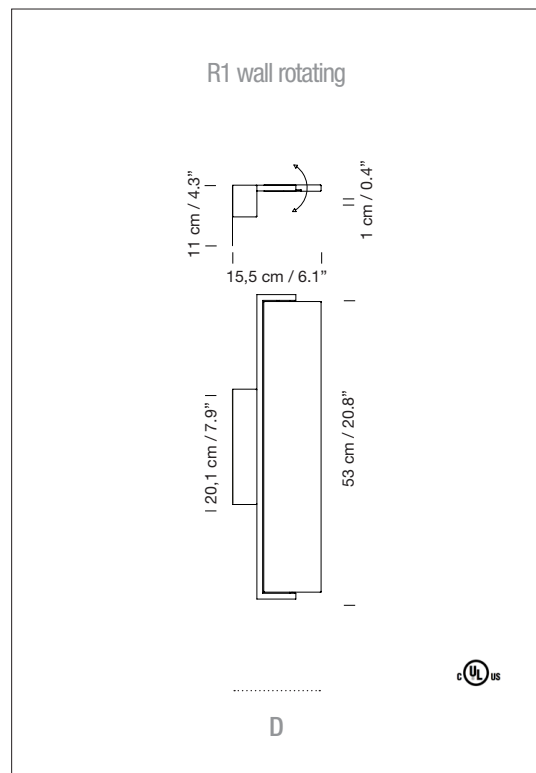
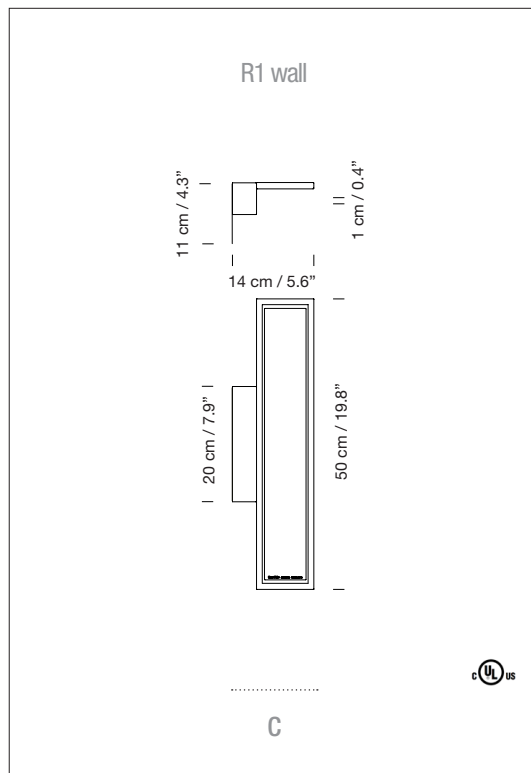
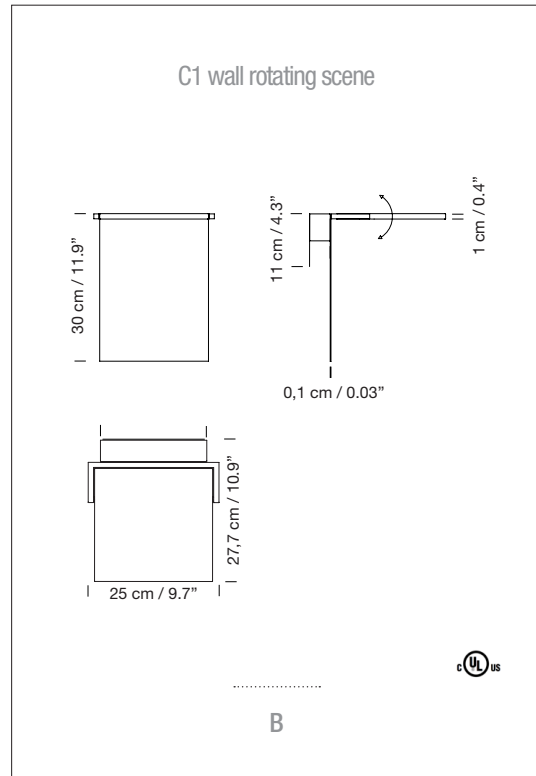
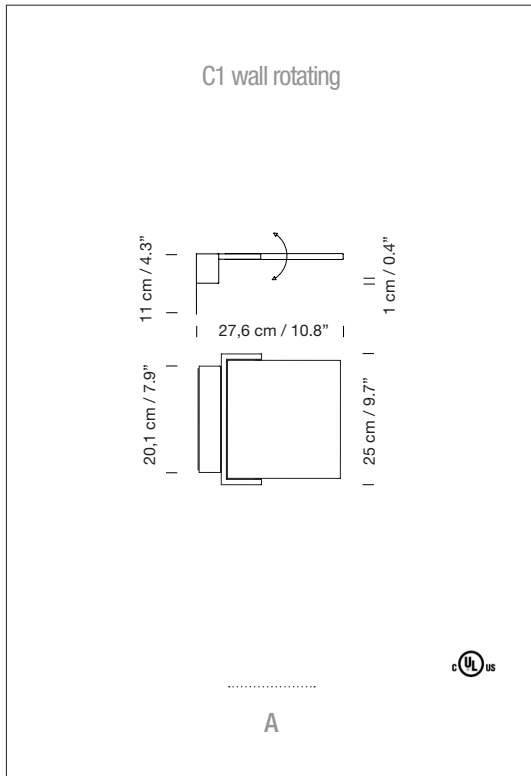
OTHERS

The lamp is delivered in different packets.
The assembly instructions are delivered with the product.

MODELS



MODELOS



BlancoWhite Collection

Table lamps



C1 table



R2 table

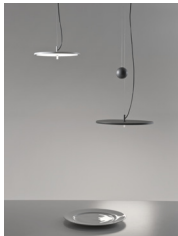


R3 table



R1 table rotating

Hanging lamps



D1 / D2 ceiling
D1 / D2 ceiling up&down



Golden Gate



R3 ceiling