

Blow planter 100x100x75

by Stefano Giovannoni

The Blow collection, designed by Stefano Giovannoni, presents an innovative furnishing proposal in tune with the Pillow family, with a fresh and distinctive approach. This in&out collection redefines the functionality of outdoor and indoor design, offering pieces that combine comfort and style with unique elegance.

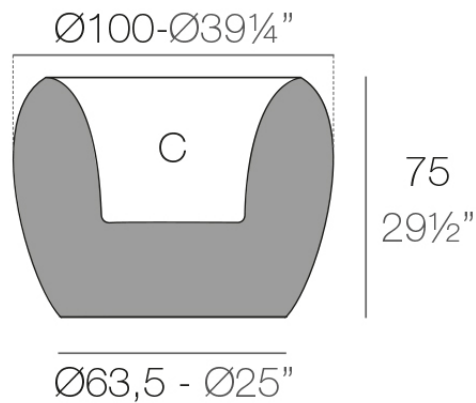


Info

Description

Pots made of polyethylene resin by rotational moulding. 100% Recyclable. Item suitable for indoor and outdoor use. Available in different finishes.

Weight: 25.08 Kg



BLOW Macetero 100x75
BLOW Planter 100x75

C = 104 L
C = $27\frac{1}{2}$ gal

Finishes

finishes

BASIC

Ref. 55021A



white 2001



ecru 2003



tortora 2004



cream 2017



camel 2020



clay 2022



garnet 2015



brown 2008



green 2016



blue 2018



gray 2005



anthracite 2006



black 2002



ecru granite



cream granite



ice 2101

Matt Polyethylene

SELF-WATERING

Ref. 55021R

VONDOM



white 2001



ecru 2003



tortora 2004



cream 2017



camel 2020



clay 2022



garnet 2015



brown 2008



green 2016



blue 2018



gray 2005



anthracite 2006



black 2002



ecru granite



cream granite



ice 2101

Self-watering system included in all planters except those with basic finish

LACQUERED

Ref. 55021F



white 3101



ecru 3103



tortora 3104



cream 3117



garnet 3113



brown 3125



green 3116



blue 3118



gray 3105



anthracite 3106



black 3102

Lacquered Polyethylene

lighting

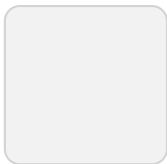
WHITE LED
Ref. 55021W



ice 2101

White internally lit unit with LED technology. Available only in matte ice white finish.

RGBW LED
Ref. 55021L



ice 2101

Unit with internal lighting with RGBW LED technology and remote control unit for switching colors. Available only in matte ice white finish. Remote control included.

RGBW LED DMX
Ref. 55021D



ice 2101

Unit with internal lighting with RGBW LED technology and remote control unit for switching colors. Also controlled by DMX-1024 (wireless), enabling communication between one or more products simultaneously via the DMX transmitter (not included). There are two options to choose from: Professional XLR DMX and Home WIFI DMX. (Remote control included).
Optional battery

RGBW LED BATTERY Ref. 55021Y



ice 2101

Unit with internal lighting with battery-powered RGBW LED technology. Includes charger and remote control for switching colors and charger. Available only in matte ice white finish.

RGBW LED DMX BATTERY Ref. 55021DY



ice 2101

Unit with internal lighting with RGBW LED technology and remote control unit for switching colors. Also controlled by DMX-1024 (wireless), enabling communication between one or more products simultaneously via the DMX

VONDOM

transmitter (not included). There are two options to choose from: Professional XLR DMX and Home WIFI DMX. (Remote control included).

Ambients

