

# BAIT MA MA

by Neri&Hu, 2014

Suspension lamp. Structure and canopy in bronze electroplated steel. Diffuser in blown transparent, amber and grey glass. Strip led column (dimnable driver included) provide ambient light and module led placed at the bottom (connected direct to main) provide direct light.

Type: Suspension lamp

Environment: Indoor

Structure: Steel

Diffuser: Glass

Voltage: 230 V

Supply: Terminal strip


Dimmable driver included

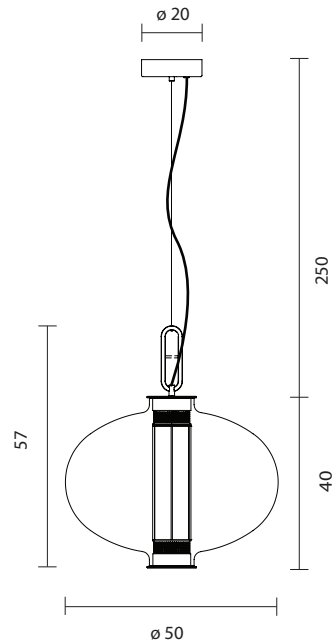
Cable length: 250 cm


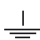
Light source: Strip LED 9.6W 2700K 720Lm  
+ Module LED  $\varnothing 70$  16.6W 2700K 1350Lm

BAIT MA MA

115000640976 **amber diffuser**  
115000640977 **grey diffuser**  
115000640978 **transparent diffuser**

 **6.3 kg**  
**11.3 kg**



CE   IP-20