

Legacy

ARMCHAIR

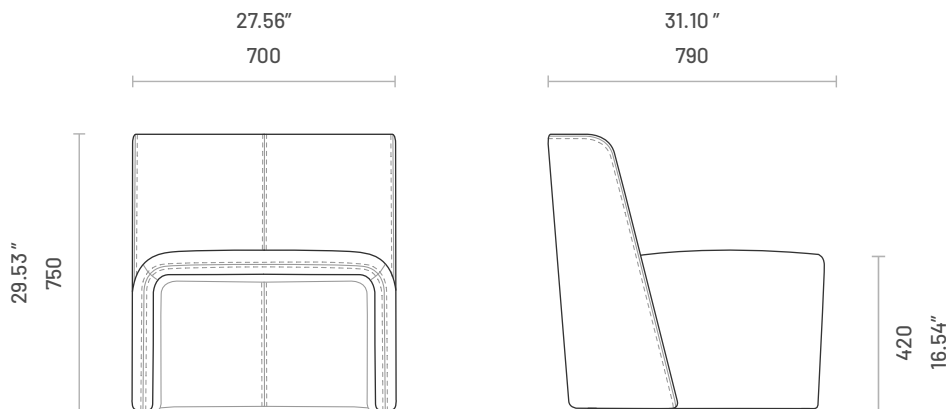
This stunning armchair is the result of highly innovative solutions attached to functional and cozy shapes, merging in a harmonious craftwork design. Without armrests, the wide back smoothly flows into the structure. On the back, a minimalistic line is stitched from the top to the bottom, enhancing the beauty of a simple design.

Legacy is a welcoming armchair, fully upholstered and customizable, that promises to complement your great taste.



Specifications

Dimensions



Technical Information

Frame

Structure: Solid pine wood and MDF

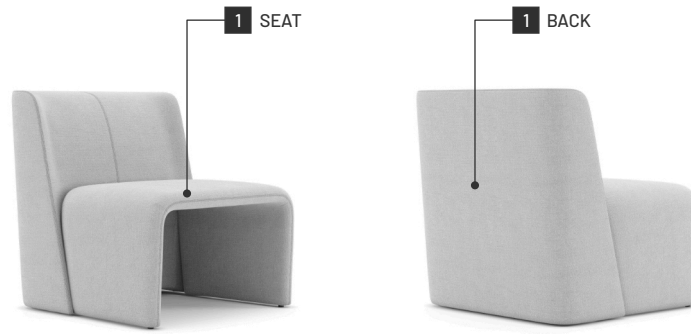
Padding

Seat: 23kg/m³, 35kg/m³ polyurethane foam

Backrest: 23kg/m³ polyurethane foam

Materials and Finishes

Overview



Available Finishes

	1
Fabrics	
Aldan	●
Arno	●
Astoria	●
Avalon	●
Bergen	●
Brampton	●
Clarence	●
Columbia	●
Devon	●
Galway	●
Helmand	●
Hudson	●
Osaka	●
Provence	●
Synthetic Leathers	
Rupert	●
Natural Leathers	
Albany	—
Aspen	●
Dover	●

COM Fabric and Leather Requirements

Item	1	
	Fabric	Leather
Legacy Armchair	 4.00 lm 13.12 ft	 8.00 m2 86.40 ft2

Packaging Information

Item	Number of Packages	Packaging Dimensions	Packaging Weight	
Legacy	1	Width: 800mm (31.50") Depth: 900mm (35.43") Height: 850mm (33.46") Volume: 0.612m ³ (21.61ft ³)	28.00kg	61.73lb