

# Ma-Rock

Designed by Jaime Hayon



**PARACHILNA**

hello@parachilna.eu  
www.parachilna.eu  
+34 93 630 7772

# MA-ROCK M

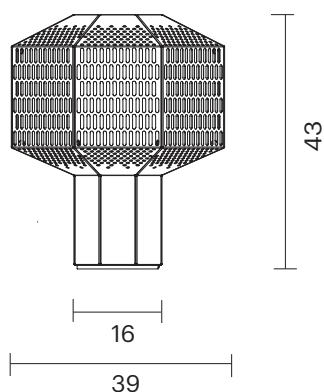
Jaime Hayon, 2021

Octagonal structure in golden or white lacquered steel. The COB LED is placed in the middle edge of the structure providing ambient light. A hand-dimmer is placed in the electrical cord.

## Technical Information

<b>Physical</b>	Type	Table
	Environment	Indoors
	Material	Steel structure
	Cable length	200 cm
	Finishes	<input type="radio"/> White <input checked="" type="radio"/> Golden Matt Other finishes on request
	Weight	Net 3 kg Gross 4,2 kg
<b>Electrical</b>	Voltage	230V
	Supply	Electrical cord with plug
	Light source	LED COB 15W 2700K 1275Lm - Included
	Dimming	1-10v driver - Included

## Blueprint



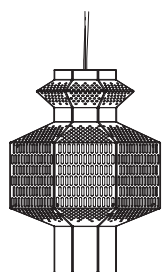
**Certifications** CE  IP-20

**Codes**  
 White 218000600005  
 Golden Matte 218000600007

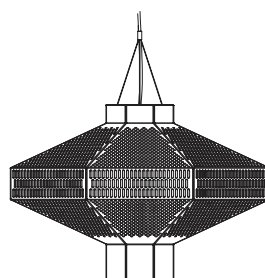
**Live photo**



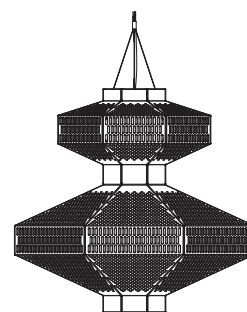
**Collection**



MA-ROCK T PE  
Suspension lamp



MA-ROCK T ME  
Suspension lamp



MA-ROCK T GR  
Suspension lamp