




FITTINGS	SPEC	AMOUNT	FITTINGS	SPEC	AMOUNT
A	 M8X90	4PCS	B	 $\phi 20 \times \phi 10 \times 2$	4PCS
C	 M6	1PC	D		

FIG.
1

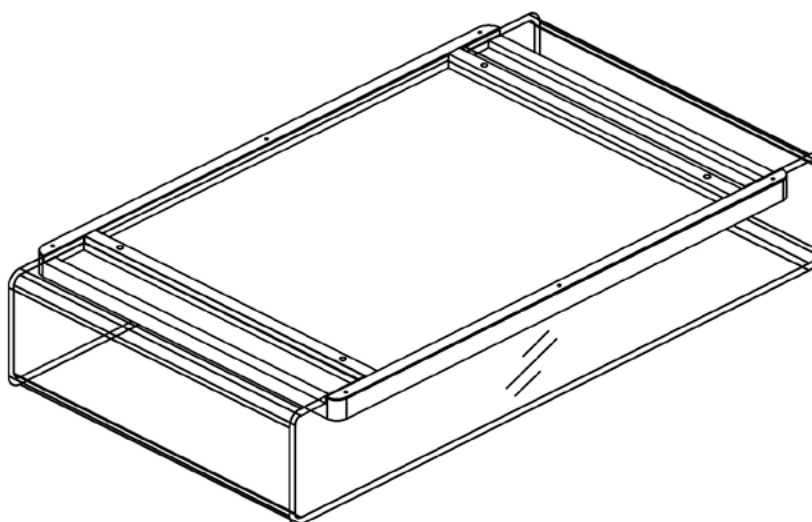


FIG.
2

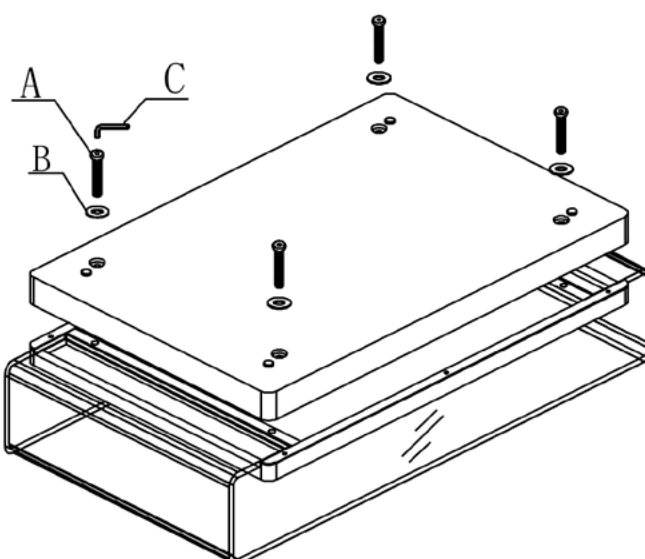


FIG.
3

