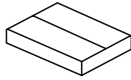




Kave® Cares



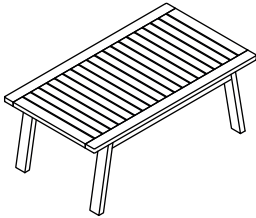
60 min



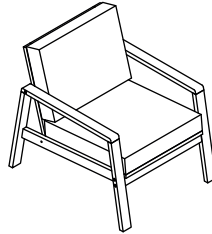
x4



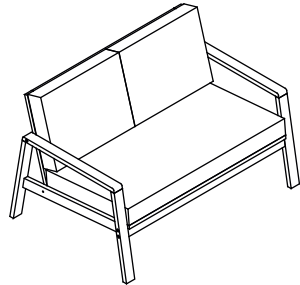
x2



P. 4

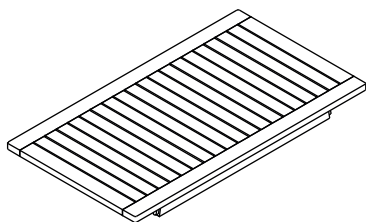


P. 7

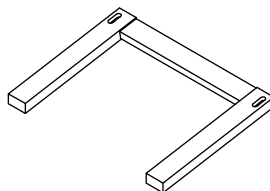


P. 11

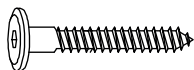




A x1



B x2

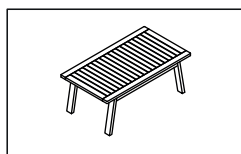


1 x4

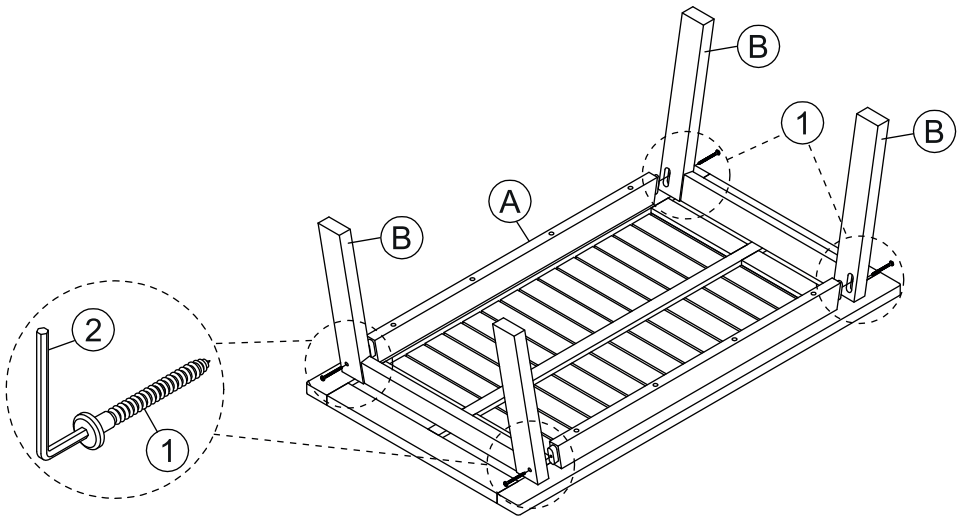
M6 x 50mm

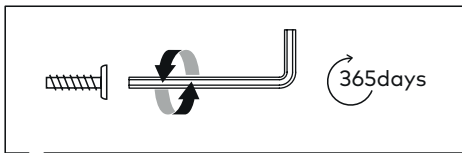
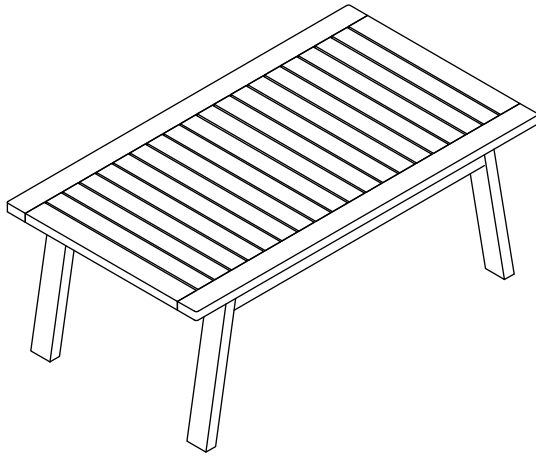


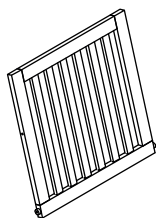
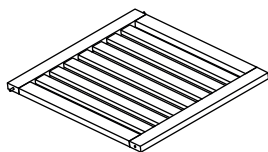
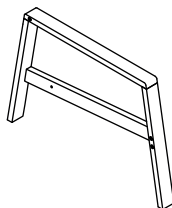
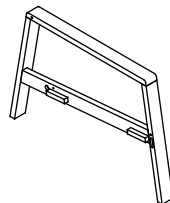
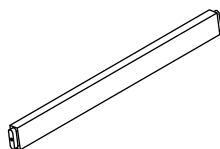
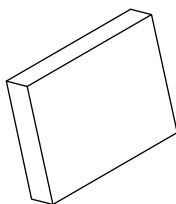
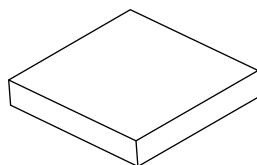
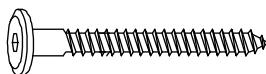
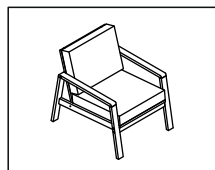
2 x1



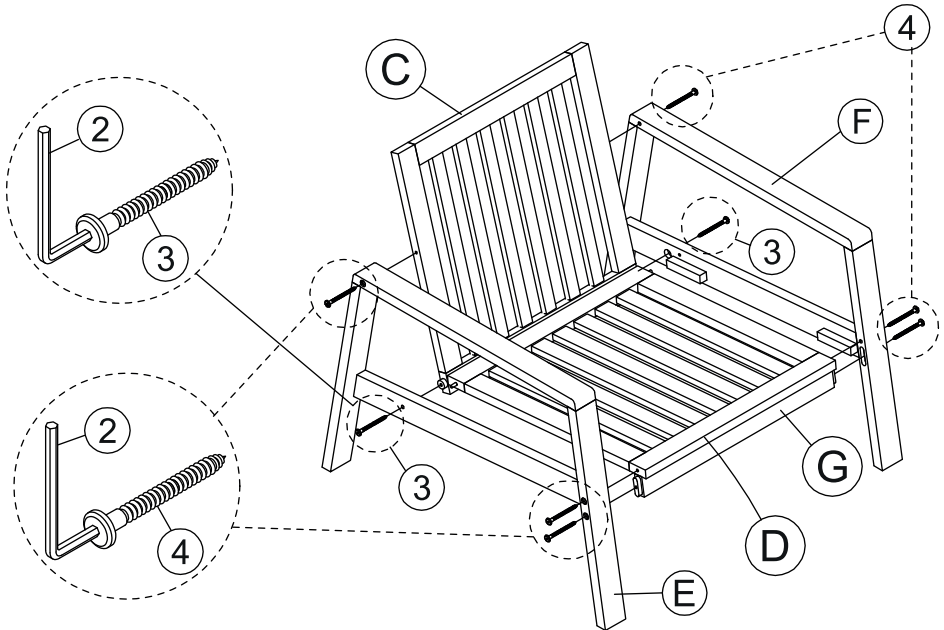
1





**C x2****D x2****E x2****F x2****G x2****H x2****I x2****2** x1**3** x4
M7 x 60mm**4** x12
M7 x 90mm

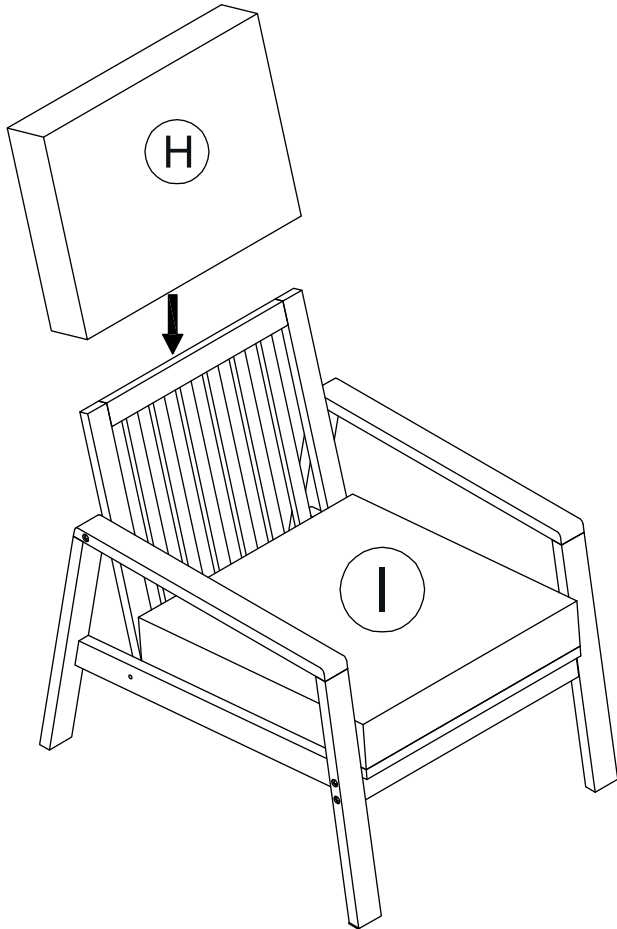
1



x2

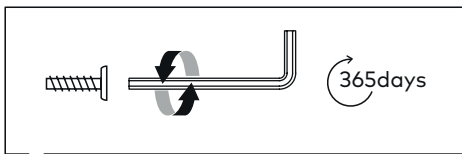
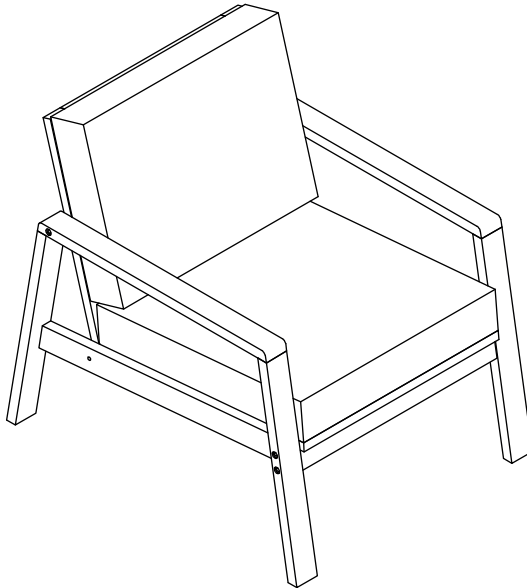


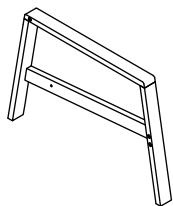
2



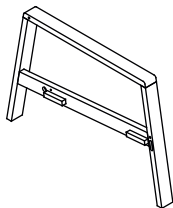
x2



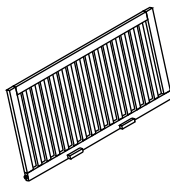




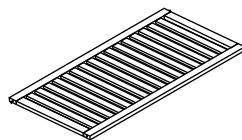
E x1



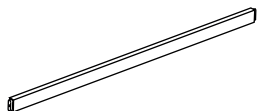
F x1



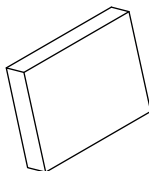
J x1



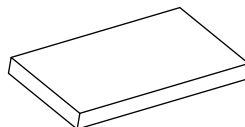
K x1



L x1



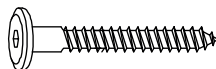
H x2



M x1



2 x1



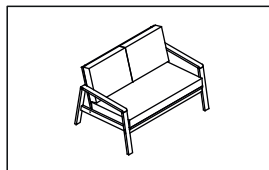
3 x2

M7 x 60mm

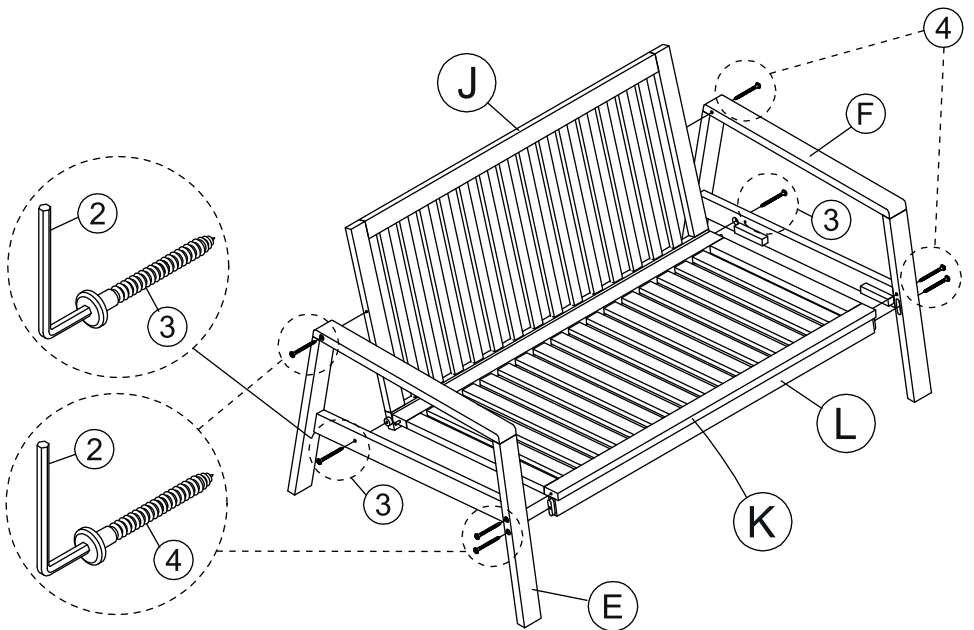


4 x6

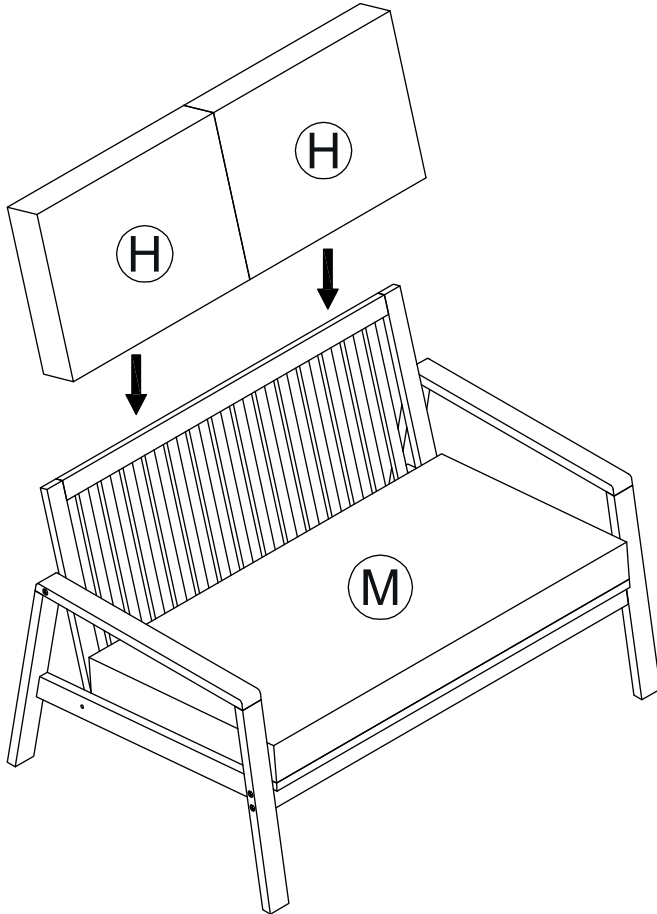
M7 x 90mm

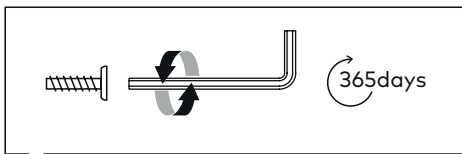
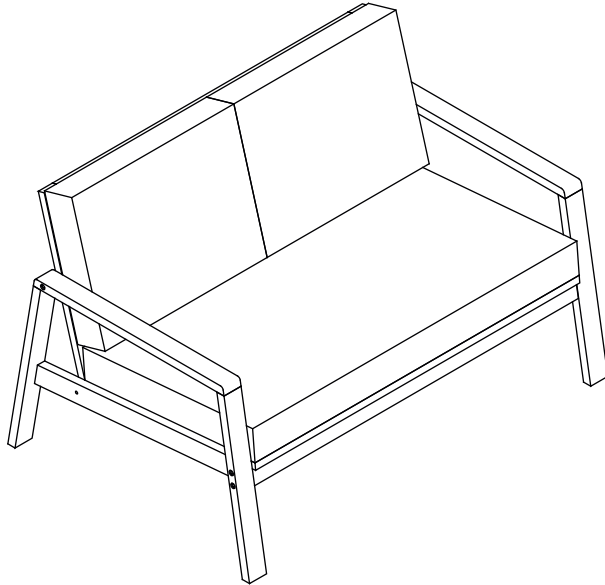


1



2







THAT'S ALL FOLKS

Share your style!

#KaveHome

