

indoor

Kotai

Rectangular dining table / mesa rectangular

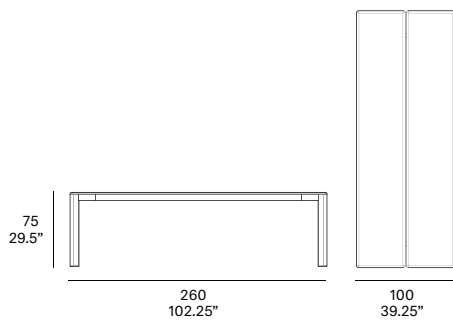
Mario Ruiz, 2015/2021

T457 260



Structure made of solid wood profile from European oaks. Tabletop made of solid wood from European oaks with 0.83" of section. Also available in European oak veneer. Delivered unassembled.

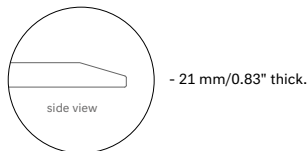
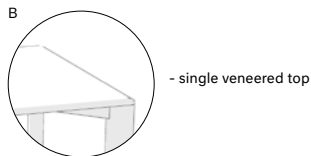
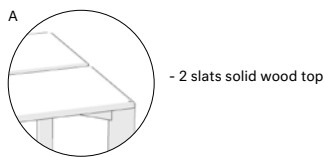
Estructura fabricada en perfilera maciza de roble europeo. Tapa fabricada en madera maciza de roble europeo de 21 mm de sección. Existe una versión en tablero chapado de roble europeo. Se sirven desmontadas.



Shipment details

Qty	1 dining table (1 box)
Volume	0,38 m ³ / 13.5 ft ³
Gross weight	72 kg / 158.5 lb
Net weight	64 kg / 141 lb
Item dimensions (width x depth x height)	260 x 100 x 75 cm 102.25" x 39.25" x 29.5"

Tabletop options:



expormim

Expormim S.A.
Pol. Ind. Jaime I
46640 Moixent (Valencia) Spain
+34 962 295 144/5
export@expormim.com
www.expormim.com

Expormim USA LLC
(212) 204-8572
usa@expormim.com
www.expormim.com

1/2

indoor

Solid wood / madera maciza



W01 natural oak



W03 light oak



W02 white stained



W05 dark stained

Veneered / tablero chapado



W01 natural oak



W03 light oak



W02 white stained



W05 dark stained

