

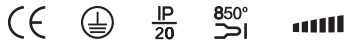
BUTTON T-3305

suspension

Date	Type
Project	
Location	
Model #	Quantity
Specifier	

Description

Linear pendant with metal heads connected to a track enclosed in a decorative shelf and field cuttable stem. Each head can be independently positioned and dimmed.



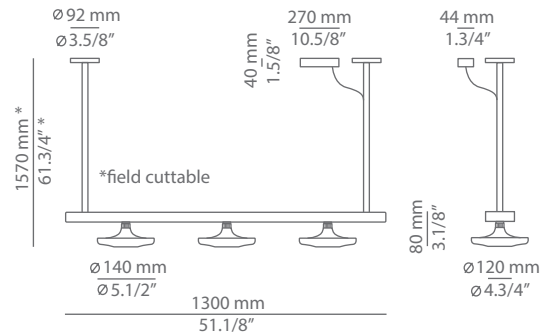
Pictures above might not show the specified dimensions or material. They are for illustration purposes only.

Ordering information

Code	Lamp	Finish								
T-3305-M	LED 3x10W (3000K / Ang 58° / >80 CRI / 350mA) / Universal Voltage (included) Typ* 3x1073 lumens Sensor dimmer on each head	<table border="1"> <tr> <td>26 BLK</td> <td>Black</td> </tr> <tr> <td>71 WH</td> <td>White</td> </tr> <tr> <td>93 GR LM</td> <td>Grey-limestone</td> </tr> <tr> <td>CUSTOM</td> <td></td> </tr> </table>	26 BLK	Black	71 WH	White	93 GR LM	Grey-limestone	CUSTOM	
26 BLK	Black									
71 WH	White									
93 GR LM	Grey-limestone									
CUSTOM										

Product includes

Code	Description
T-3305-M	1 Button body
113305XX0	3 Button heads
671000028	1 Driver 60W



SPECIAL REQUIREMENTS

Custom versions

We offer custom plated or RAL finishes. Alternate lamping and versions available for projects. Consult our offices.

Special instructions



ESTILUZ, S.A.
Carretera d'Ogassa, s/n
17860 Sant Joan de les Abadesses
T+34 972 720 125
F+34 972 720 796

estiluz@estiluz.com
www.estiluz.com

BUTTON T-3306

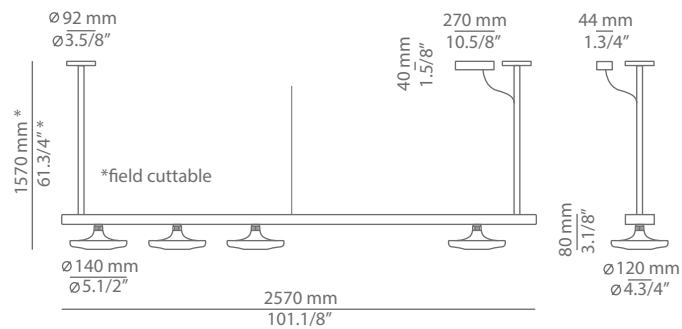
suspension

Date	Type
Project	
Location	
Model #	Quantity
Specifier	

Ordering information

Code	Lamp
T-3306-M	LED 4x10W (3000K / Ang 58° / >80 CRI / 350mA) / Universal Voltage (included) A+ Typ* 4x1073 lumens Sensor dimmer on each head

Finish	
26 BLK	Black
71 WH	White
93 GR LM	Grey-limestone
CUSTOM	

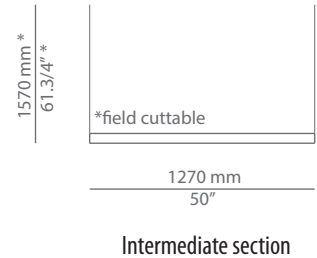
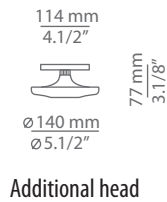


Product includes

Code	Description
T-3306-M	1 Button body
113305XX0	4 Button heads
671000028	1 Driver 60W

Accessories

Code	Description
113305XX0	1 Additional head
113306XX0	1 Intermediate section



SPECIAL REQUIREMENTS

Custom versions

We offer custom plated or RAL finishes. Alternate lamping and versions available for projects. Consult our offices.

Special instructions

BUTTON T-3307

suspension

Date	Type
Project	
Location	
Model #	Quantity
Specifier	

Ordering information

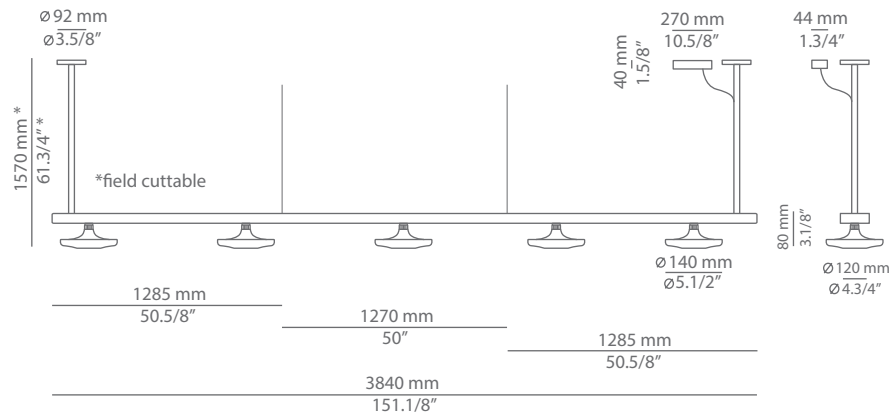
Code	Lamp	Finish
■ T-3307-M	■ LED 5x10W (3000K / Ang 58° / >80 CRI / 350mA) / Universal Voltage (included) A+ Typ* 5x1073 lumens Sensor dimmer on each head	■ 26 BLK Black ■ 71 WH White ■ 93 GR LM Grey-limestone ■ CUSTOM

Product includes

Code	Description
■ T-3306-M	■ 1 Button body
■ 113305XX0	■ 5 Button heads
■ 671000028	■ 1 Driver 60W
■ 113306XX0	■ 1 Intermediate section

Accessories

Code	Description
■ 113305XX0	■ Up to 3 Button head (Requires alternative driver, consult our offices)



SPECIAL REQUIREMENTS

Custom versions

We offer custom plated or RAL finishes. Alternate lamping and versions available for projects. Consult our offices.

Special instructions
