

HALMA • WALL LIGHT
REF. 9623.15

WEIGHT

Net Weight: 12 kg | 26.46 lbs

Gross Weight: 24 kg | 52.9bs

BULBS

Quantity: 12

Type: G9

Wattage: 40W (max)

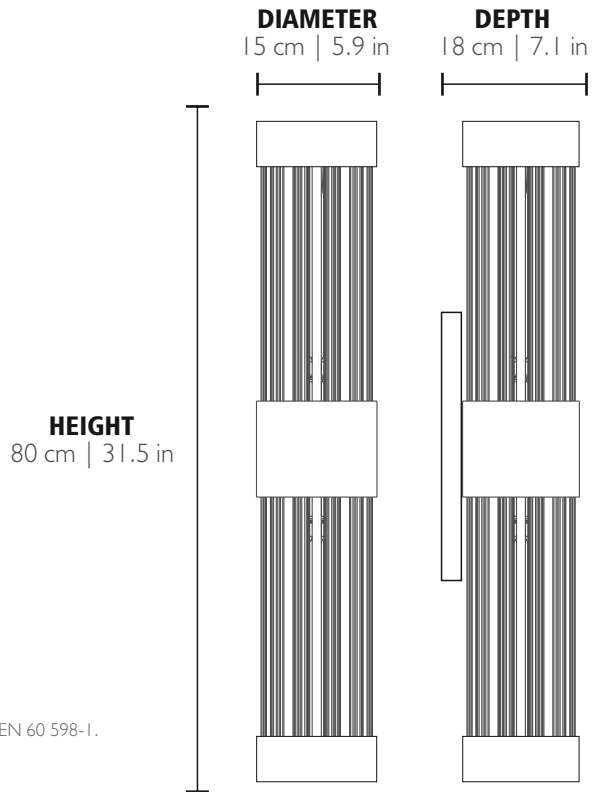
MATERIALS

Body: Brass

Details: Glass

GLASS

Options: Clear



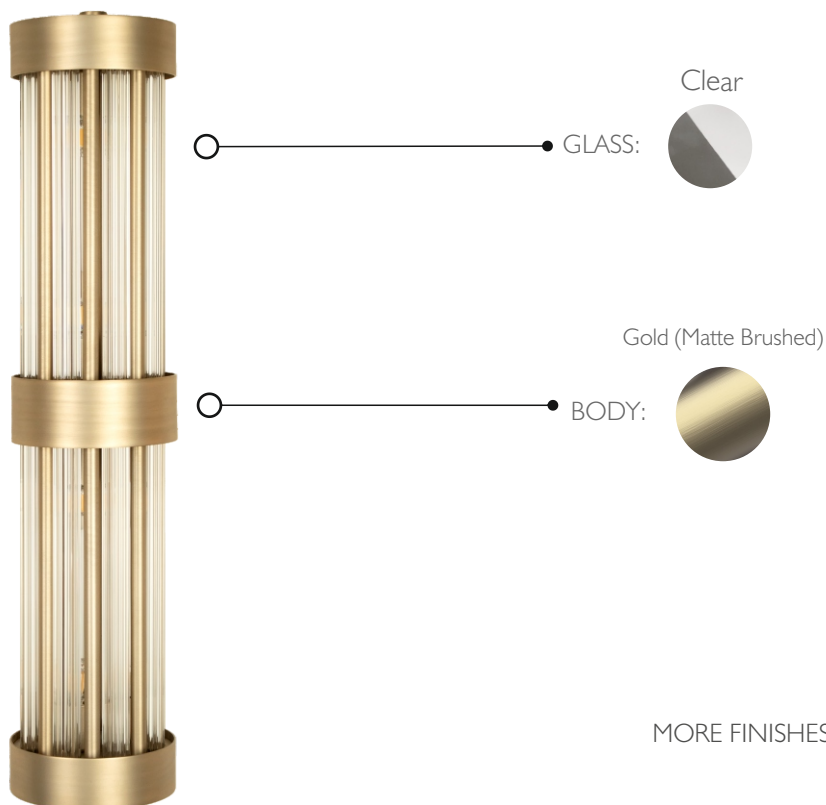
☐ - Products manufactured according the European norm of security EN 60 598-1.

⚠ - Products adjusted for instalation in surfaces normally inflammable.

☐ - Products of class II. The electric isolation is double or reinforced.

⚡ - Products with the possibility of instalation of low-energy consumption bulbs.

PRODUCT FINISHES & COSTUMIZATION OPTIONS



MORE FINISHES AVAILABLE HERE:
[CLICK HERE](#)