



Designed by renowned designer Jorge Pensi, the ALTEA seating collection arises from the search for a family of seats that can have a broad spectrum of uses in both professional and domestic environments. This iconic family, originates from the combination of comfortable seat bodies, available in three heights, with diverse bases of different functionality. The wide choice of versions and finishes together with the essential and appealing design of the seats, allow a broad spectrum of use in all kinds of spaces.

**ECOLOGY**

Environmental product data sheet [+info](#)

ISO 14001 certificate [+info](#)

INCLASS production processes are certified according to environmental standards ISO 14001 in order to minimise any impact on the environment.

 Products marked with a green dot have achieved GREENGUARD Gold Certification. GREENGUARD Gold Certificate [+info](#)

**QUALITY STANDARDS**

ISO 9001 certificate [+info](#)

The quality management system of INCLASS is certified in accordance with ISO 9001 in all the design, manufacturing and sales procedures of its products.

UNE-EN 13761:2003 - Office furniture - Visitors chairs.

UNE-EN 15373:2007 - Furniture - Strength, durability and safety - Requirements for non-domestic seating.

UNE-EN 1728:2013 - Furniture - Seating - Test methods for the determination of strength and durability.

*INCLASS products have been extensively tested to exceed industry testing standards at AIDIMME. AIDIMME is member of the European network INNOVAWOOD and its testing laboratories are accredited by ENAC.*

**WARRANTY**

5 years

**FINISHES**

Finishes book [+info](#)

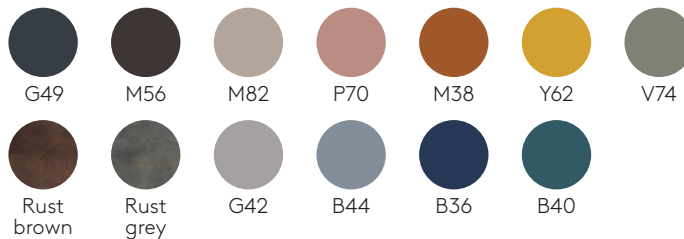
**Upholstery:** All fabrics and leathers indicated in our finishes book.

**Steel bases**

**M1 colours**



**M2 colours**



**Chrome**



**Aluminum bases**



**Oak bases**



**Armchair with XL high back (5 spoke aluminum swivel base on casters + tilt mechanism) Code: ALT0175BA**



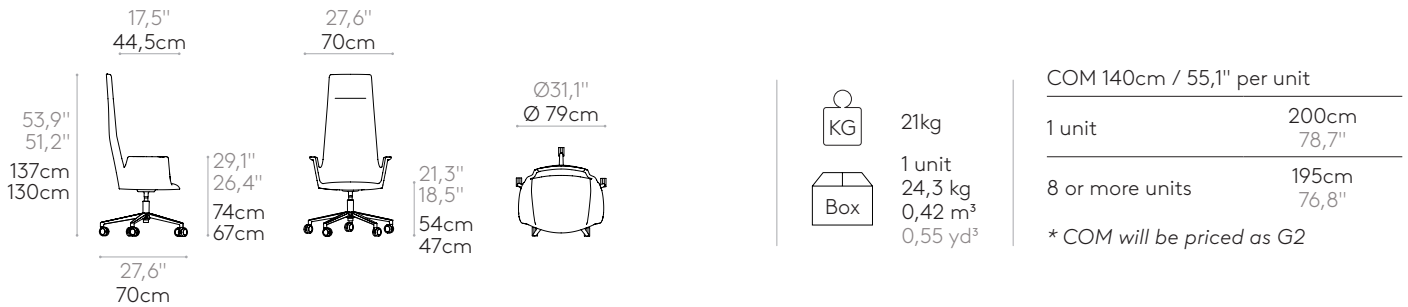
Upholstered swivel armchair with XL high backrest, gas lift, tilt mechanism and 5 cast aluminum spoke base with polished finish.

**Movement:** tilting mechanism 16° with a forward seat tilt point. Side tension adjustment. Five locking positions with safety unlocking. Seat height adjustment.

**Upholstery:** in all the fabrics and leathers indicated in our finishes book.

**Casters:** Ø65mm twin wheel swivel casters with soft tread as standard. Casters with hard tread are available.

 Product with GREENGUARD Gold Certificate.



**Armchair with high back (5 spoke aluminum swivel base on casters + tilt mechanism) Code: ALT0075BA**



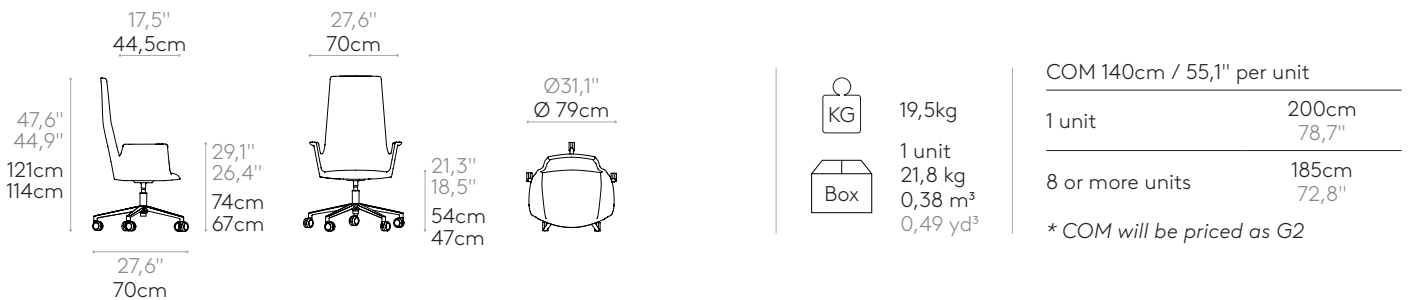
Upholstered swivel armchair with high backrest, gas lift, tilt mechanism and 5 cast aluminum spoke base with polished finish.

**Movement:** tilting mechanism 16° with a forward seat tilt point. Side tension adjustment. Five locking positions with safety unlocking. Seat height adjustment.

**Upholstery:** in all the fabrics and leathers indicated in our finishes book.

**Casters:** Ø65mm twin wheel swivel casters with soft tread as standard. Casters with hard tread are available.

 Product with GREENGUARD Gold Certificate.



**Armchair with low back (5 spoke aluminum swivel base on casters + tilt mechanism) Code: ALT0070BA**



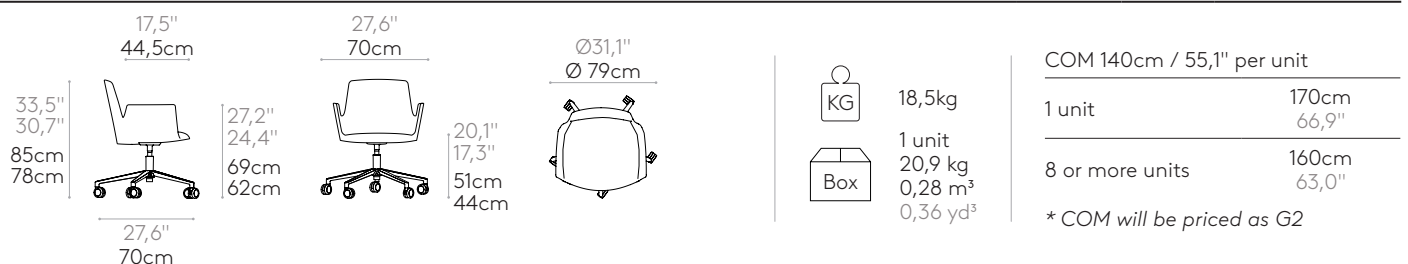
Upholstered swivel armchair with low backrest, gas lift, tilt mechanism and 5 cast aluminum spoke base with polished finish.

**Movement:** tilting mechanism 16° with tension adjustment knob and locking in one position. Seat height adjustment.

**Upholstery:** in all the fabrics and leathers indicated in our finishes book.

**Casters:** Ø65mm twin wheel swivel casters with soft tread as standard. Casters with hard tread are available.

 Product with GREENGUARD Gold Certificate.



**Armchair with XL high back (5 spoke aluminum swivel base on casters + gas lift)**

Code: **ALT0165GG**

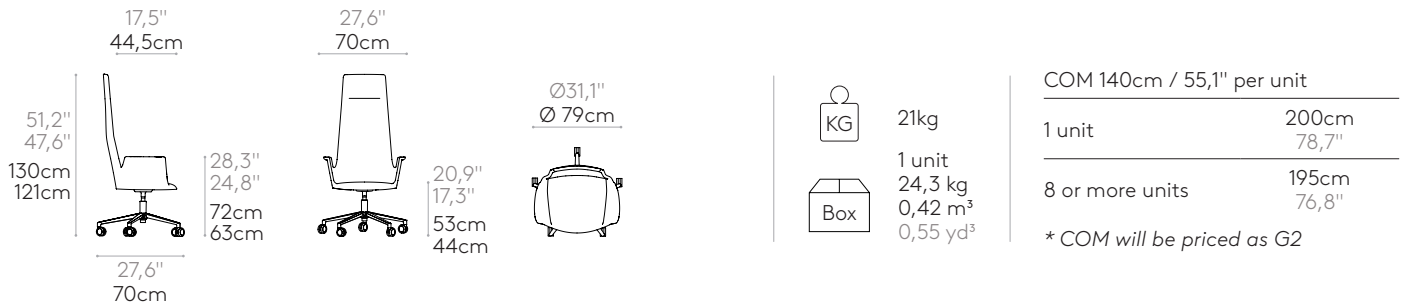


Upholstered swivel armchair with XL high backrest, height adjustable seat and casted aluminum 5 spoke base with polished finish.

**Upholstery:** in all the fabrics and leathers indicated in our finishes book.

**Casters:** Ø65mm twin wheel swivel casters with soft tread as standard. Casters with hard tread are available.

Product with GREENGUARD Gold Certificate.



**Armchair with high back (5 spoke aluminum swivel base on casters + gas lift)**

Code: **ALT0065GG**

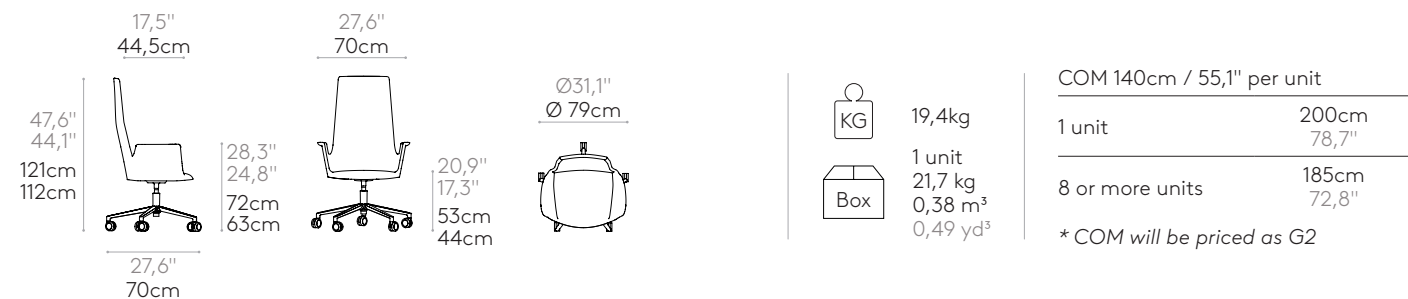


Upholstered swivel armchair with high backrest, height adjustable sea and casted aluminum 5 spoke base with polished finish.

**Upholstery:** in all the fabrics and leathers indicated in our finishes book.

**Casters:** Ø65mm twin wheel swivel casters with soft tread as standard. Casters with hard tread are available.

Product with GREENGUARD Gold Certificate.



**Armchair with low back (5 spoke aluminum swivel base on casters + gas lift)**

Code: **ALT0060GG**

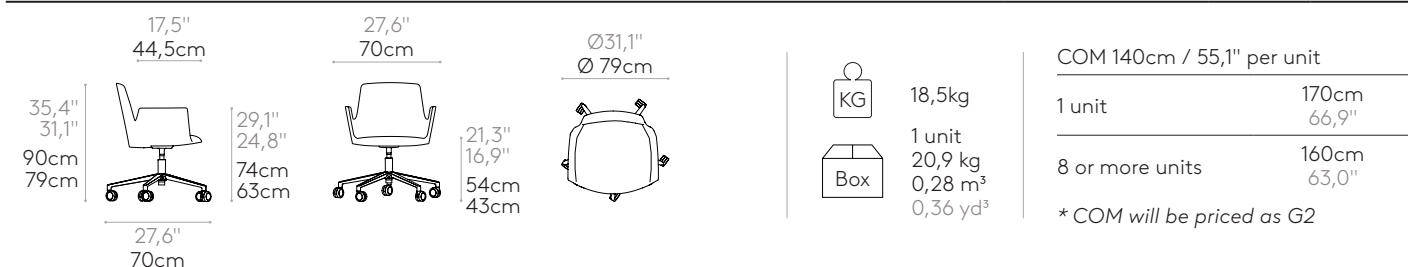


Upholstered swivel armchair with low backrest, height adjustable seat and casted aluminum 5 spoke base with polished finish.

**Upholstery:** in all the fabrics and leathers indicated in our finishes book.

**Casters:** Ø65mm twin wheel swivel casters with soft tread as standard. Casters with hard tread are available.

Product with GREENGUARD Gold Certificate.



**Armchair with low backrest and 4 spoke steel swivel base**

Code: **ALT0050**



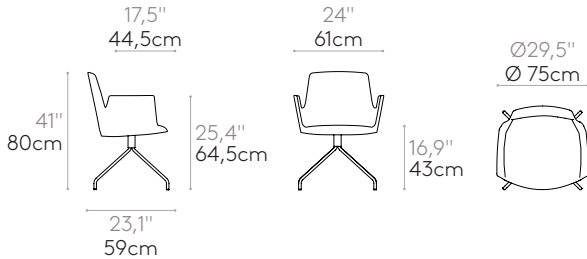
Upholstered armchair with low backrest and round steel rod 4 spoke swivel base.

**Upholstery:** in all the fabrics and leathers indicated in our finishes book.

**Base finishes:** in chrome or micro-textured powder coated in colours M1 and M2 from our metallic swatch card.

**Glides:** plastic glides as standard. Felt glides are available with an upcharge.

Product with GREENGUARD Gold Certificate.



	14,9kg
	1 unit 17,4 kg 0,35 m <sup>3</sup> 0,46 yd <sup>3</sup>

COM 140cm / 55,1" per unit	
1 unit	170cm 66,9"
8 or more units	160cm 63,0"
* COM will be priced as G2	

**Armchair with low backrest and 4 leg frame**

Code: **ALT0040**



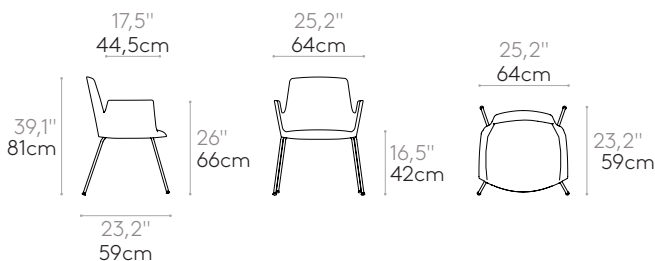
Upholstered armchair with low backrest and round steel tube 4 leg frame.

**Upholstery:** in all the fabrics and leathers indicated in our finishes book.

**Frame finishes:** in chrome or micro-textured powder coated in colours M1 and M2 from our metallic swatch card.

**Glides:** plastic glides as standard. Felt glides are available with an upcharge.

Product with GREENGUARD Gold Certificate.



	10kg
	1 unit 12,5 kg 0,35 m <sup>3</sup> 0,46 yd <sup>3</sup>

COM 140cm / 55,1" per unit	
1 unit	170cm 66,9"
8 or more units	160cm 63,0"
* COM will be priced as G2	

**Armchair with low backrest and sled frame**

Code: **ALT0010**



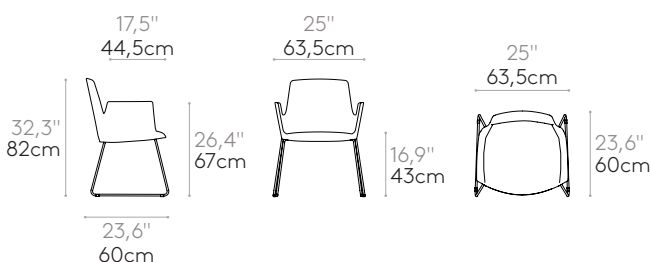
Upholstered armchair with low backrest and round steel rod sled frame.

**Upholstery:** in all the fabrics and leathers indicated in our finishes book.

**Frame finishes:** in chrome or micro-textured powder coated in colours M1 and M2 from our metallic swatch card.

**Glides:** plastic glides as standard. Felt glides are available with an upcharge.

Product with GREENGUARD Gold Certificate.



	12,1kg
	1 unit 14,6 kg 0,35 m <sup>3</sup> 0,46 yd <sup>3</sup>

COM 140cm / 55,1" per unit	
1 unit	170cm 66,9"
8 or more units	160cm 63,0"
* COM will be priced as G2	

**Armchair with low backrest and wooden 4 leg frame**

Code: **ALT0030MA**



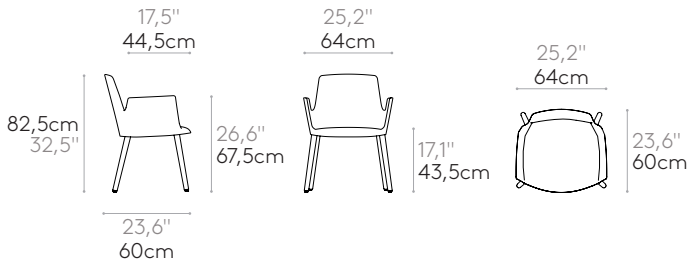
Upholstered armchair with low backrest and 4 leg frame in solid oak, reinforced with an inner steel structure.

**Upholstery:** in all the fabrics and leathers indicated in our finishes book.

**Leg finishes:** in any of the oak finishes from our wood swatch card.

**Glides:** plastic glides as standard. Felt glides are available with an upcharge.

Product with GREENGUARD Gold Certificate.



	12kg
	1 unit 14,5 kg 0,35 m <sup>3</sup> 0,46 yd <sup>3</sup>

COM 140cm / 55,1" per unit	
1 unit	170cm 66,9"
8 or more units	160cm 63,0"
* COM will be priced as G2	

**Armchair with low backrest and cantilever base**

Code: **ALT0080**



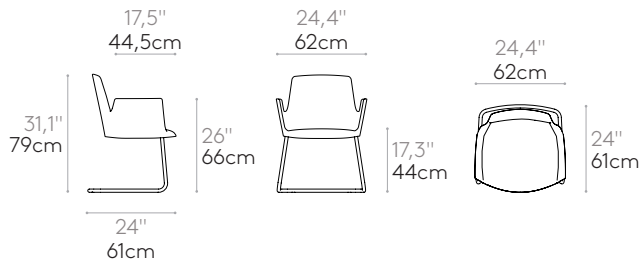
Upholstered armchair with low backrest and round steel tube cantilever base.

**Upholstery:** in all the fabrics and leathers indicated in our finishes book.

**Base finishes:** in chrome or micro-textured powder coated in colours M1 and M2 from our metallic swatch card.

**Glides:** plastic glides as standard. Felt glides are available with an upcharge.






Product with GREENGUARD Gold Certificate.



	12,5kg
	1 unit 15 kg 0,35 m <sup>3</sup> 0,46 yd <sup>3</sup>

COM 140cm / 55,1" per unit	
1 unit	170cm 66,9"
8 or more units	160cm 63,0"
* COM will be priced as G2	

**OPTIONAL ITEMS & ACCESSORIES**

	Code	Description
	ALT0150OP	Set of 4 felt glides for sled frame (upcharge)
	ALT0140OP	Set of 4 felt glides for 4 leg frame (upcharge)
	ALT0160OP	Set of 4 felt glides for 4 spoke steel swivel base (upcharge)
	ALT0180OP	Set of 4 felt glides for wooden 4 leg frame (upcharge)
	ALT0145OP	Set of 5 felt glides for cantilever base (upcharge)
	ALT0240	5 spoke aluminum base + gas column painted in black or white (upcharge)