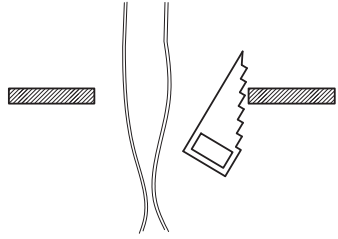
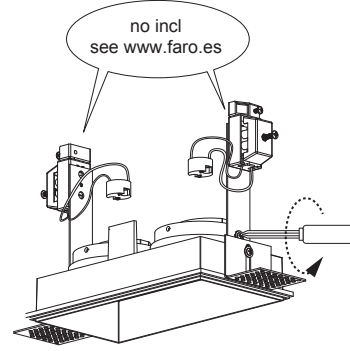


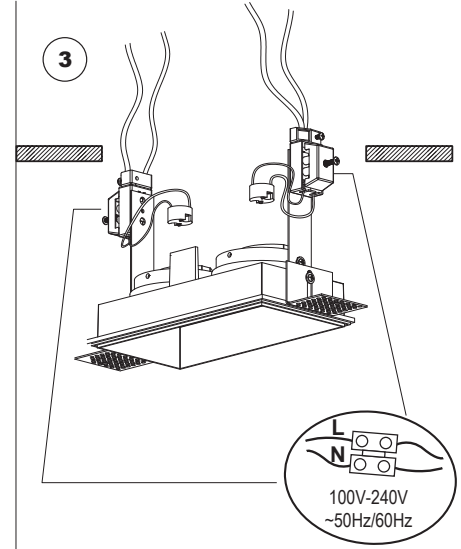
1



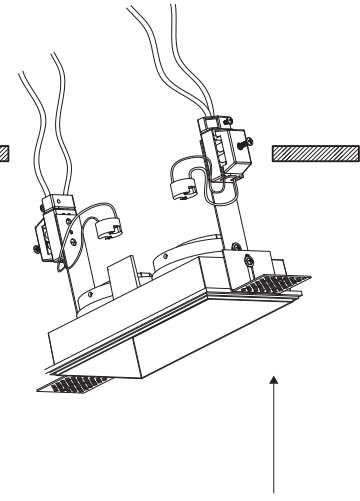
2



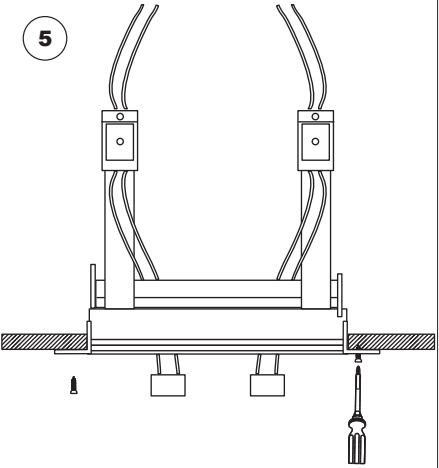
3



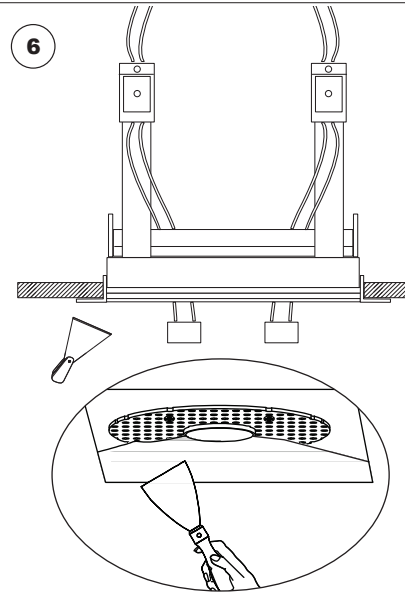
4



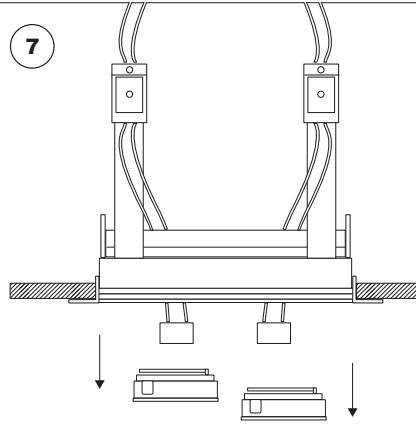
5



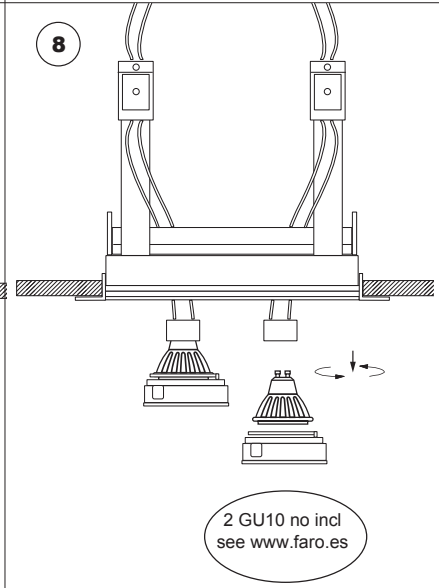
6



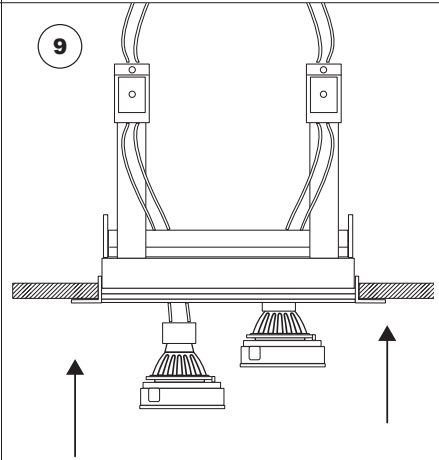
7



8



9



TECHNICAL FEATURES - CARACTERÍSTICAS TÉCNICAS

2 x GU10 MAX 8W LED (not included)

2 x Socket for GU10 □ - 2 x Portalámparas GU10 □ (not included)

100V-240V~50Hz/60Hz

