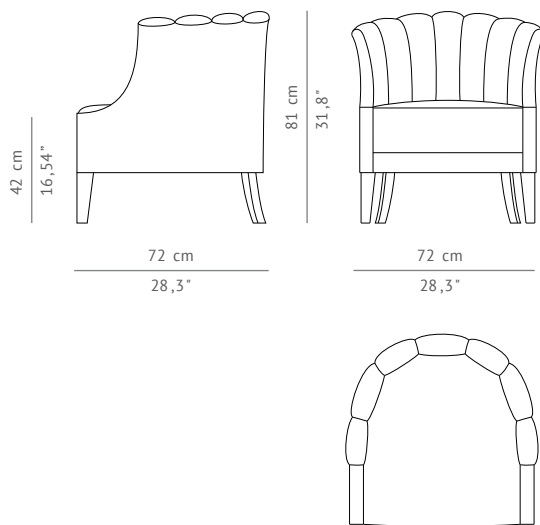


CASEGOODS UPHOLSTERY LIGHTING RUGS ART ACCESSORIES



BEGONIA | ARMCHAIR

BEGONIA armchair was named after a beautiful flower from tropical countries, inspired by its warm energies and the bold shape of its petals.



DIMENSIONS

WIDTH	70 cm 27,56"
DEPTH	70 cm 27,56"
HEIGHT	77 cm 30,31"
SEAT HEIGHT	42 cm 16,54"
SEAT DEPTH	58 cm 23,62"

MATERIALS

FABRIC	Cotton velvet
FABRIC REFERENCE	BB MOSS I - Colour 44
FABRIC NEEDED	4 mts 157,5" (Standard width 1,40mts 55")
LEGS	Fully upholstery

FABRIC / LEATHER REQUEST

COM	4 mts 157,5" (Standard width 1,40mts 55")
COL	61,6 sq ft

PACKAGING

DIMENSIONS	W 75 cm 29,50" D 75 cm 29,50" H 82 cm 22,30"
VOLUME	0,46 m ³ 16,24 ft ³
WEIGHT	19kg 42 lbs

LEAD TIME

Production time is between 6 to 8 weeks for BRABBU collections.
Delivery time is not included.

All of our furniture can be made to measure and it is available in different finishes.

Please note that the colours and materials shown are for reference only and small variations may occur.