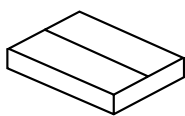




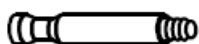
40 min



x1



x2



Ax18 (F8034M)



Bx18 ( $\varnothing 15 \times 13,5$ )



Cx12 ( $\varnothing 8 \times 30$ )



Dx8 ( $\varnothing 5 \times 13$ )



Ex10 ( $\varnothing 3,5 \times 16$ )



Fx16 (M6x16)



Gx1 (M4)



Hx18 ( $\varnothing 20$ )



Ix4 ( $\varnothing 8 \times 2$ )



Jx4



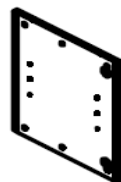
Kx10



(1) x1



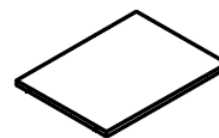
(2) x1



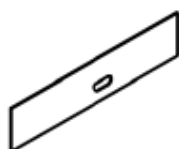
(3) x1



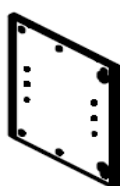
(4) x1



(5) x2



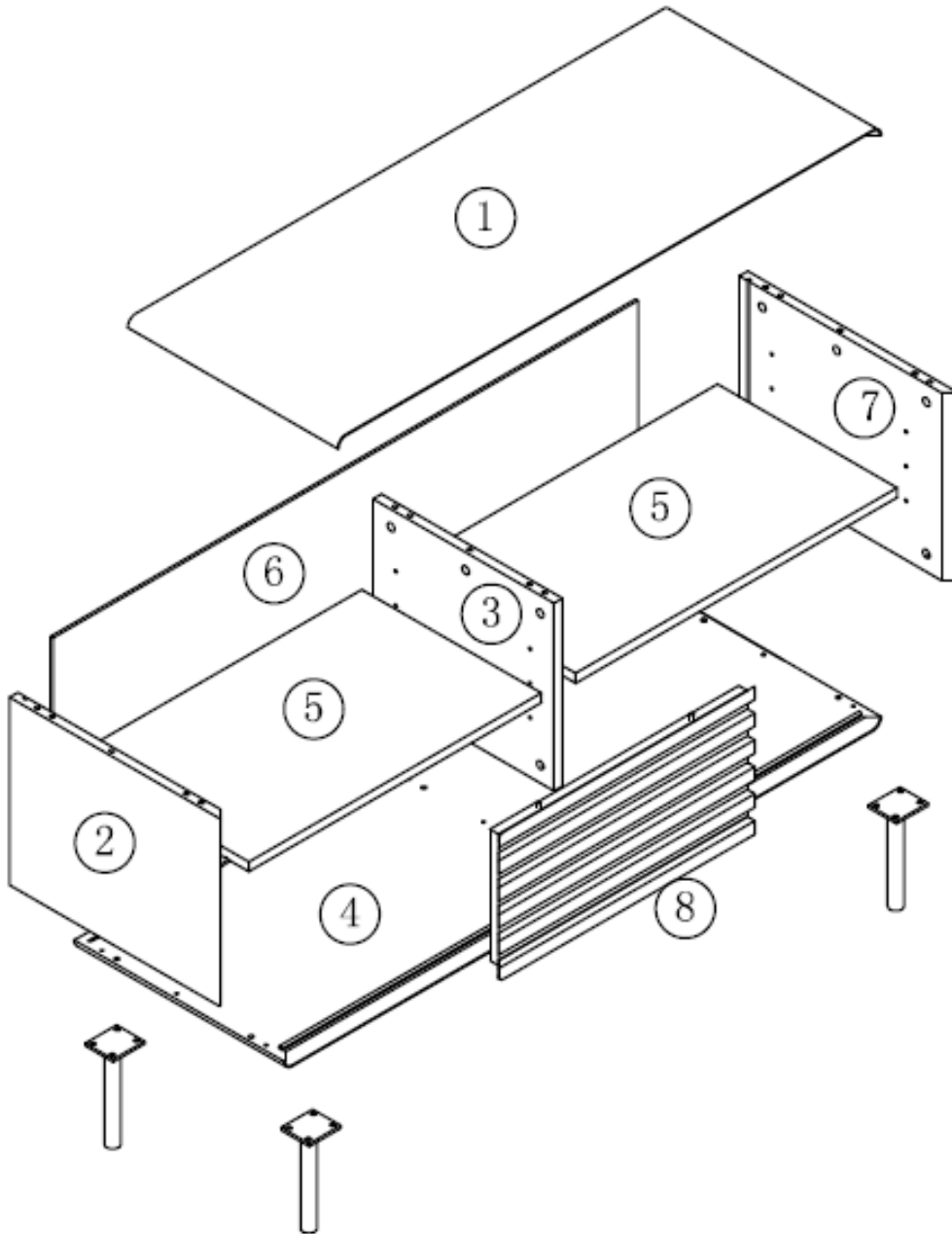
(6) x1



(7) x1

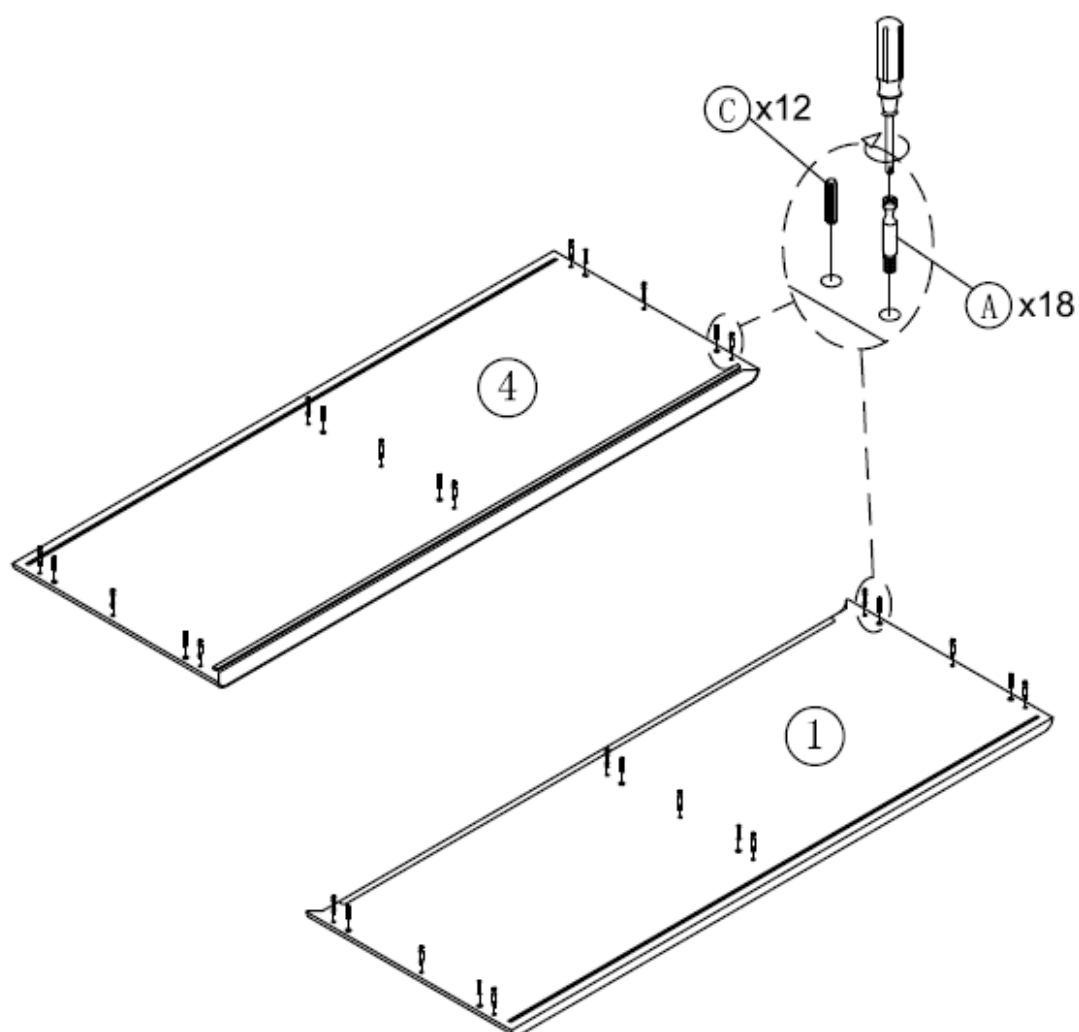


(8) x1



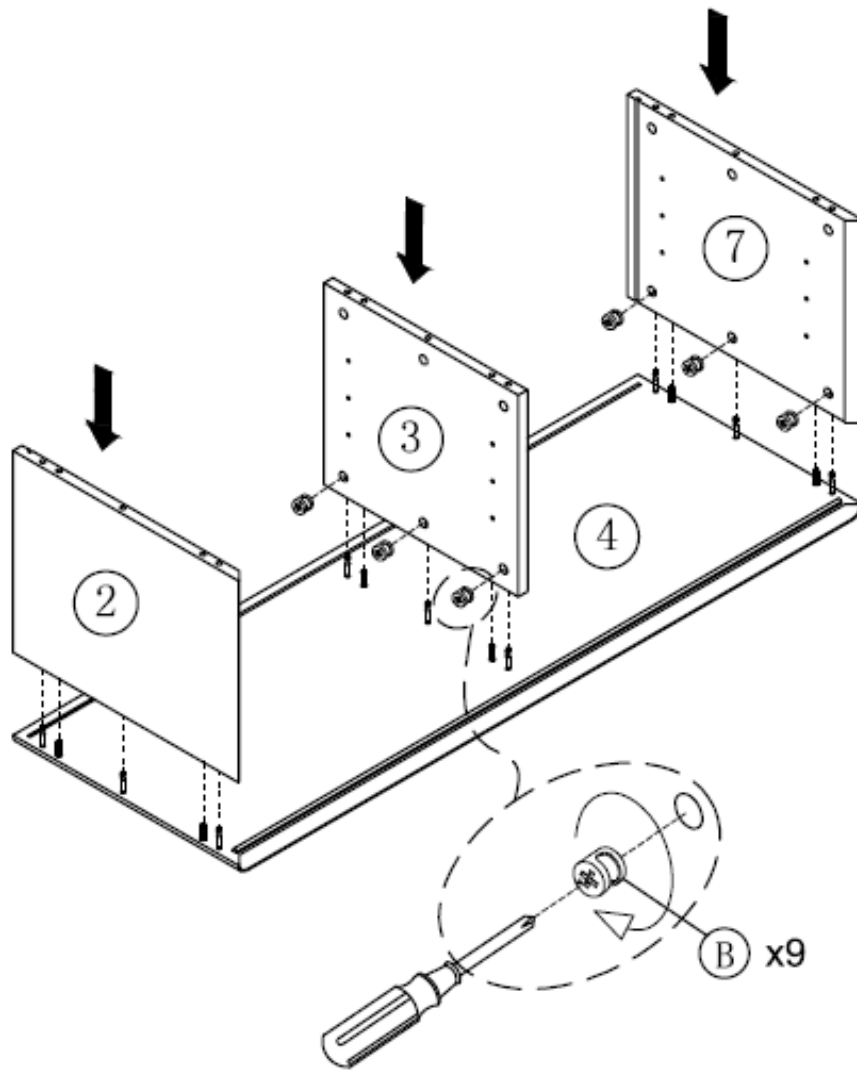


1



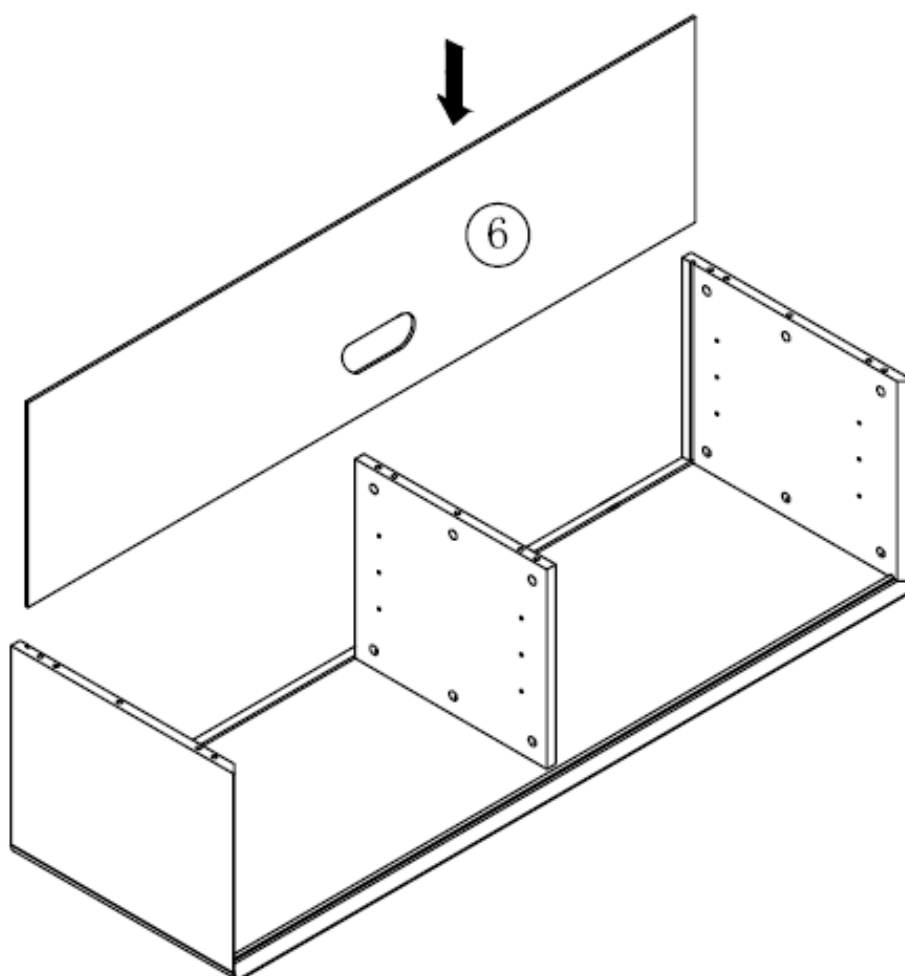


2



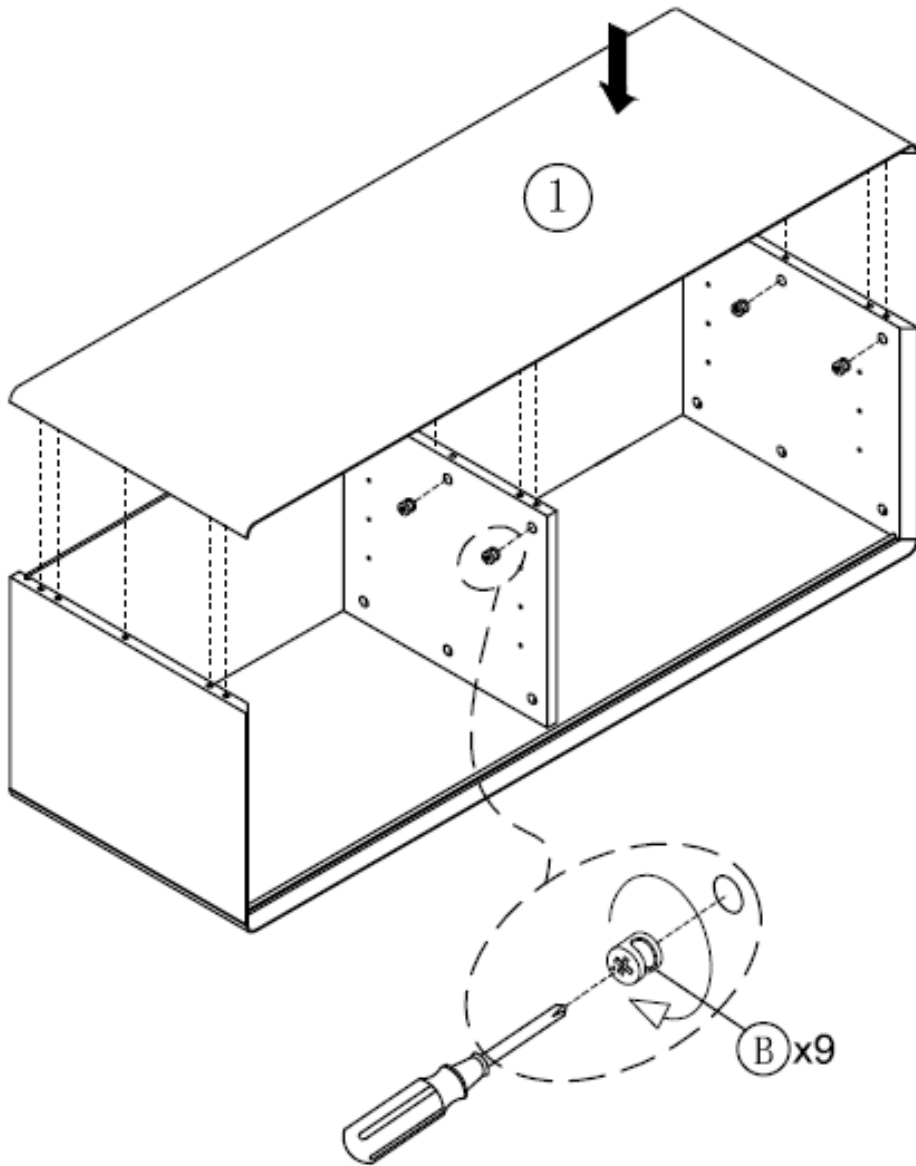


3



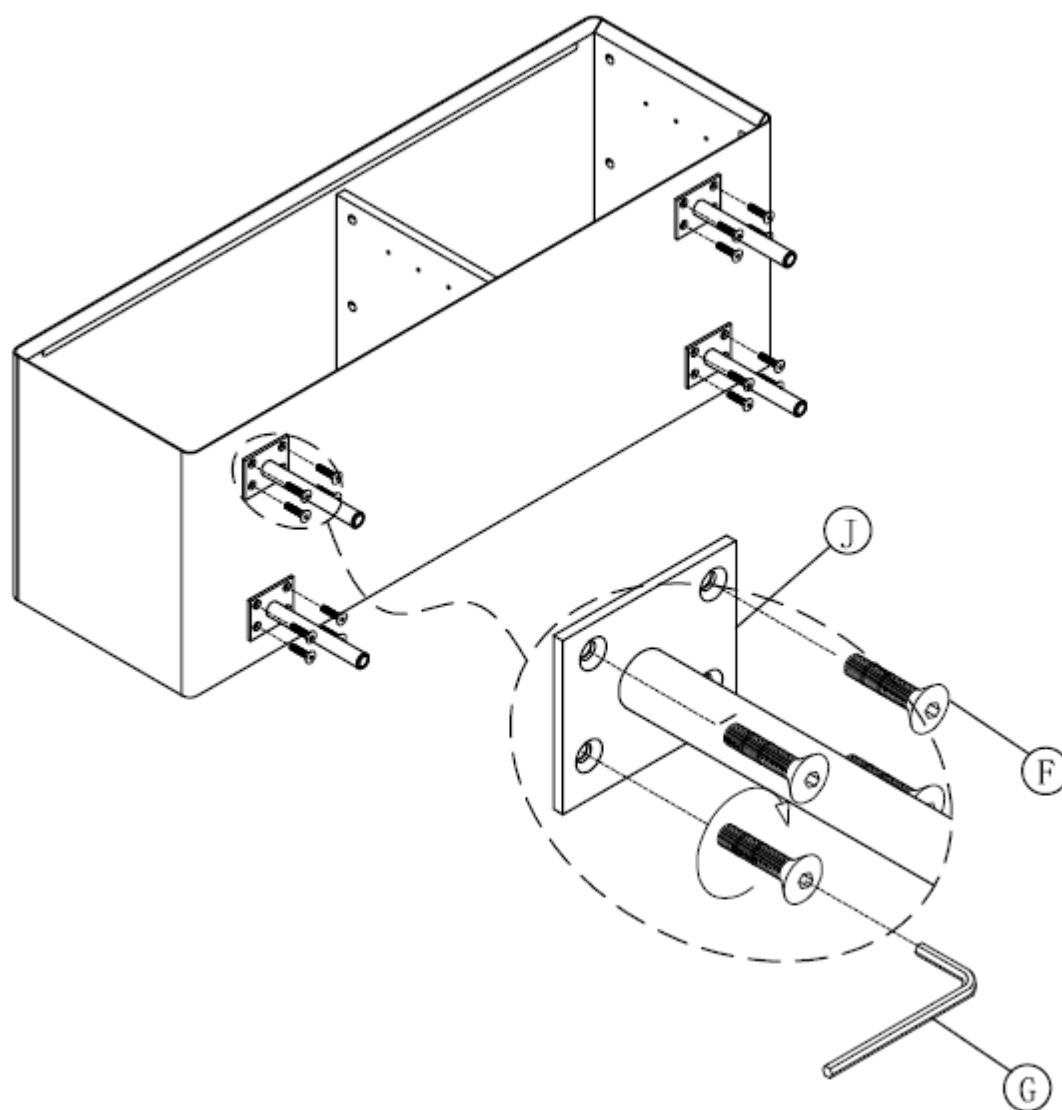


4



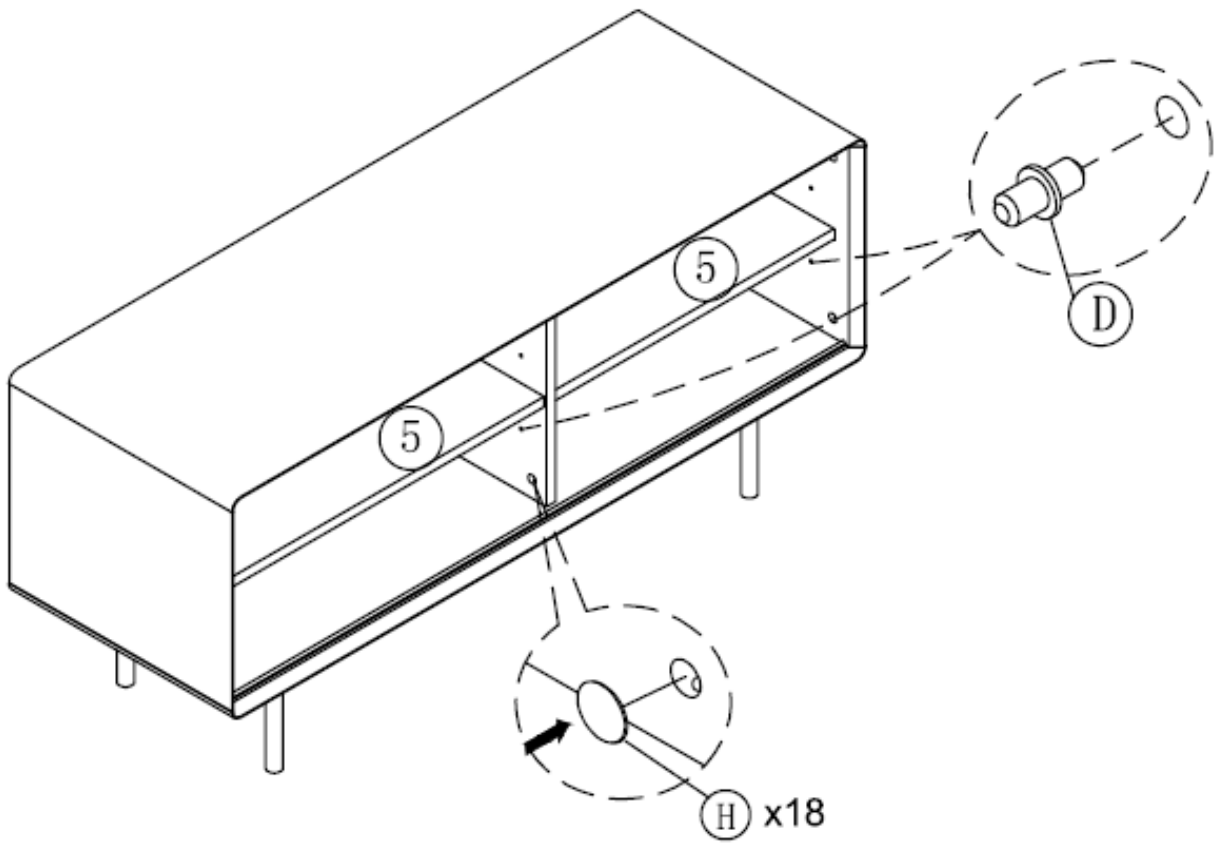


5

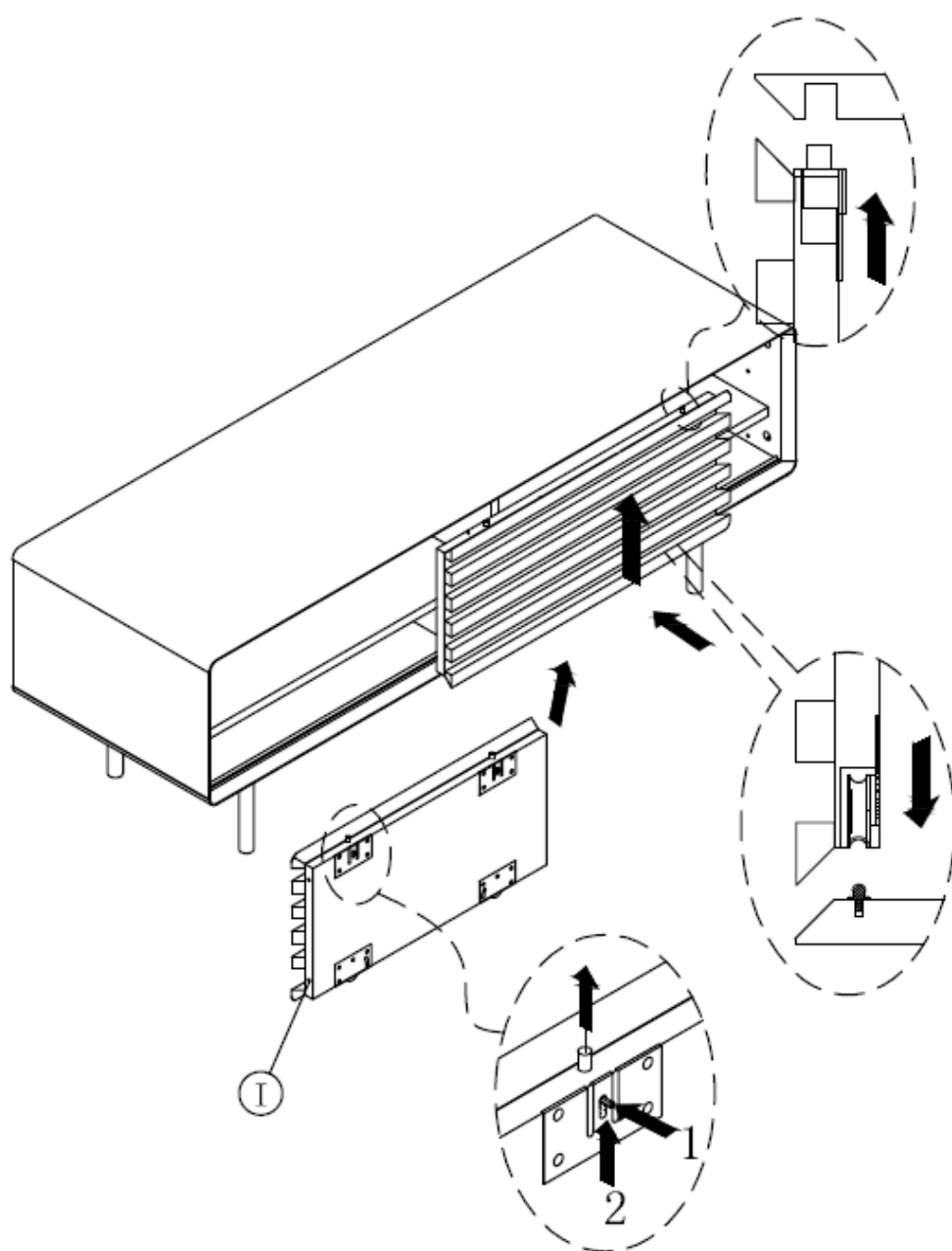




6

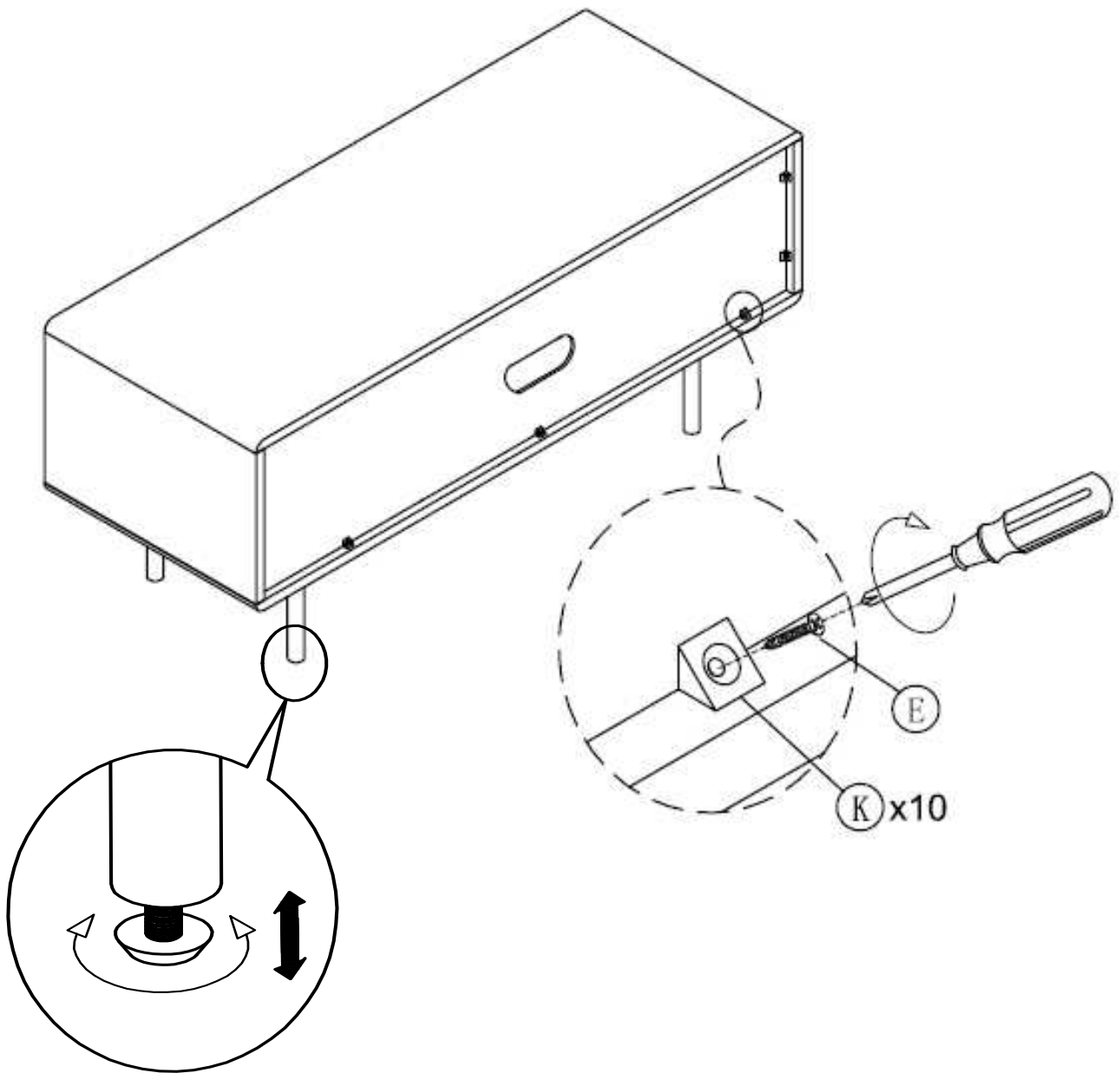


7





8





---

**THAT'S ALL FOLKS!**





**JULIÀ GRUP Furniture Solutions S.L.**

B-17616277

Pol. Ind. Bosc d'en Cuca

C / Tallers, 14

17410 Sils SPAIN

[contact@kavehome.com](mailto:contact@kavehome.com)