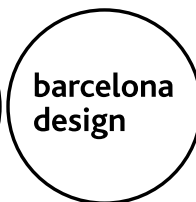


TECHNICAL SPECIFICATION

Couture

FÄRG & BLANCHE
2016



COMPONENTS and MATERIALS:

Upholstered seat and backrest (non-removable) with wood internal structure.

Plywood casing sewn in birch or walnut.

Swivel system optional.

FINISHES:

Case in grey stained birch, varnished walnut and degraded birch.

Seat and backrest upholstered in various fabrics and leathers available in BD.

DIMENSIONS and WEIGHTS:

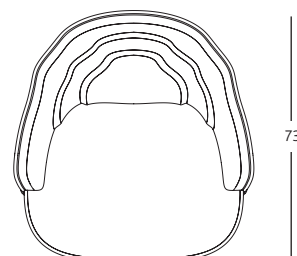
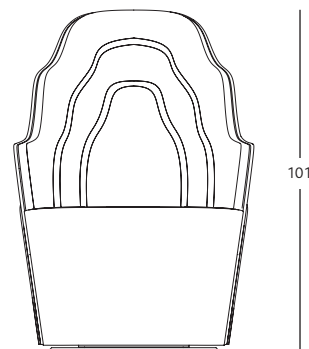
70 x 73 x 101 cm (30kg)

PACKAGING:

The armchair is assembled and sent packaged in a cardboard box.

CLEANING and MAINTENANCE:

Woods should be cleaned with a damp cloth using only water. The synthetic materials should also be cleaned with a damp cloth using only water. Leather finishes can also be cleaned in the same way, and for maintenance, a thin layer of a wax that is the same colour as the leather or a neutral one (colourless), can be applied..



MEASUREMENTS IN CM



BD Barcelona Design

Ramon Turró, 126 / 08005 Barcelona
Tel +34 93 458 69 09 / Fax +34 93 207 36 97
bd@bdbarcelona.com / www.bdbarcelona.com

Technical Department

Carretera Capellades / km 22,750
Narcís Monturiol, 7 / Pol. Ind Sesrovires
Sant Esteve de Sesrovires / 08635 Barcelona
Tel +34 93 771 30 51 / Fax +34 93 771 32 32