

Fire pit Assembly instructions

kettal

Fire pit

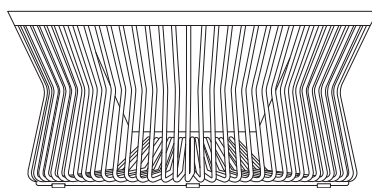
Description

The strength of the shapes, the richness of the materials and the energy of fire are the main elements that characterise the Kettal ZigZag objects collection designed by the Emiliana Design Studio.

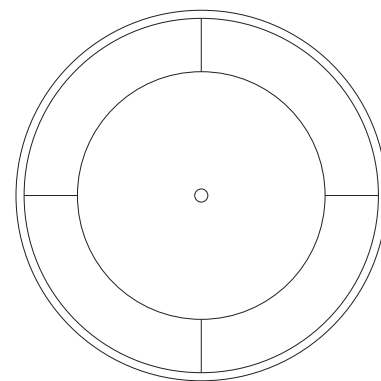
Kettal ZigZag Fire Pit, an aluminium and ceramic coffee table that can easily be turned into a fire or barbecue.

cm/inch

43/16,9



cm/inch



Ø90/35,4



Information

Warning

If the wire or flexible cord is damaged, it must only be changed by the manufacturer, their Service Dept. or qualified personnel in order to avoid risk.

This product is suitable for indoor and outdoor.

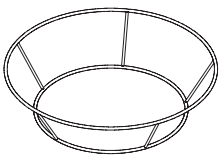
Cleaning Instructions

Use a soft damp cloth, with soap or neutral detergent.
Do not use alcohol or other solvents.

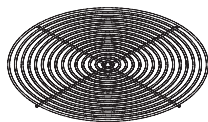
This symbol on the product or its packaging indicates that it must not be treated as household waste. It should, in fact, be handed in at a recognised collection point for recycling electrical and electronic equipment. For more detailed information about the recycling of this product, please contact your local city office, your household waste disposal service or the shop where you purchased the product.

Elements

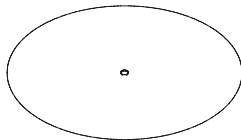
A



E



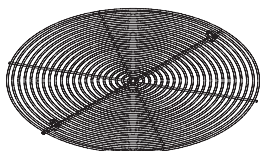
B



C

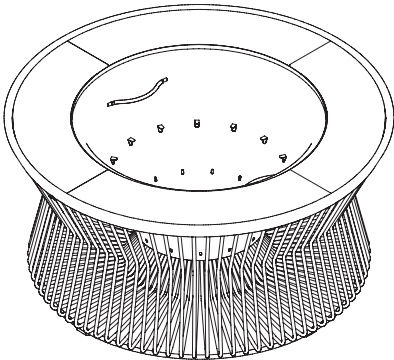
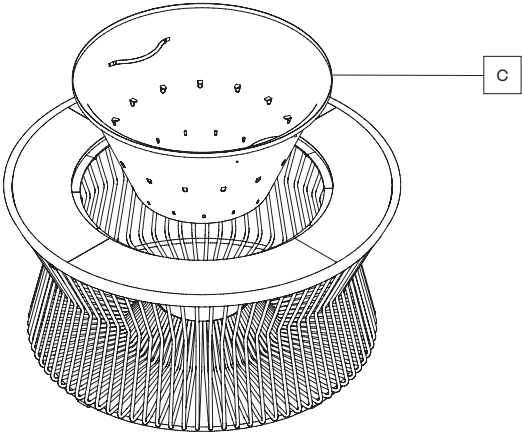


D

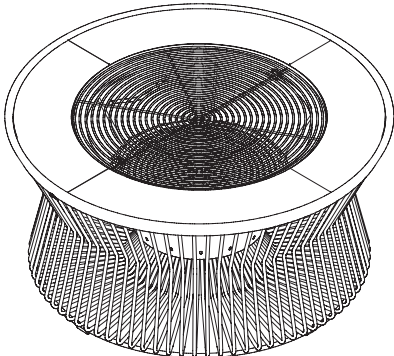
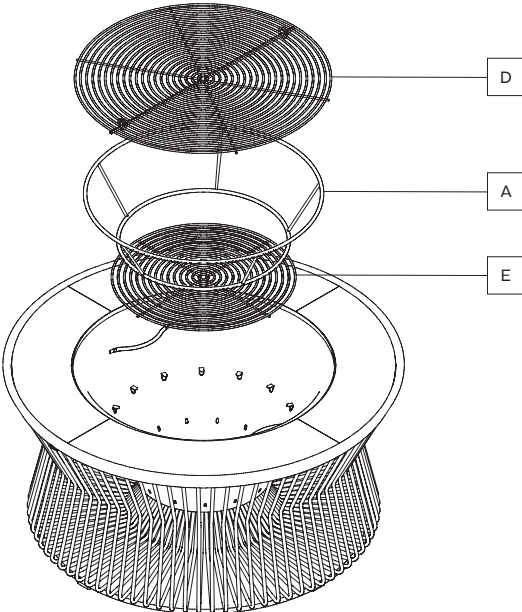


Fire pit

1



2

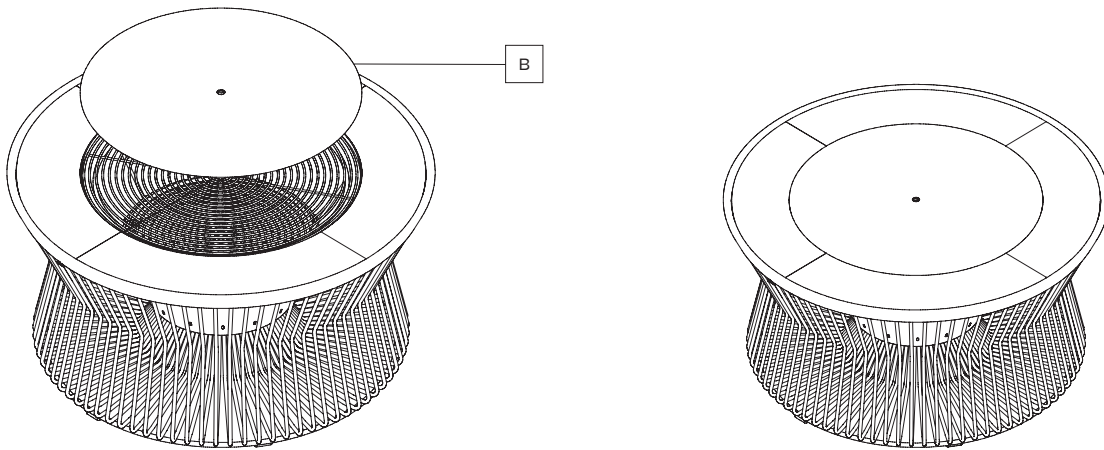


Designer
Emiliana Design

Collection
Objects

Reference
KS5701800

3



4

