

JERRY-HOTEL

NAHTRANG
DISSENY
2012



CARPYEN
BARCELONA

Carpylum70 S.L.
C/ Pere IV 78-84 E-08005 Barcelona
T +34 93 320 99 90

Spain: comercial@carpyen.com
Export: export@carpyen.com
Special project: antony@carpyen.com

JERRY-HOTEL



CARPYEN
BARCELONA

Carpylum70 S.L.
C/ Pere IV 78-84 E-08005 Barcelona
T +34 93 320 99 90

Spain: comercial@carpyen.com
Export: export@carpyen.com
Special project: antony@carpyen.com

JERRY-HOTEL

Materiales / Materials Matériaux / Matters

Estructura: metal
Structure: metal
Structure: métal
Struktur: Metall

Pantalla: algodón
Shade: cotton
Abat-jour: coton
Schirm: Baumwolle

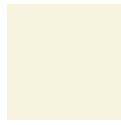
Acabados / Finishes Finitions / Ausführung



Níquel mate
Matt nickel
Nickel mat
Nickel matt



Blanco
White
Blanc
Weiss



Beige
Beige
Beige
Beige



Blanco
White
Blanc
Weiss

LED Integrado / Integrated / Intégré / Integriert

Sin bombilla / Without bulb /
Sans ampoule / Ohne Glühbirne

Base
E14 LED
60 W / 220-240 V / 50-60 Hz

Focus
INTEGRATED LED
2 W / 100-240 V / 50-60 Hz
65 Lumen / 3000 K
60° lighting angle

Ángulo de apertura 60°
60° lighting angle
Angle d'ouverture de 60°
Abstrahlwinkel 60°

Foco giratorio 360°
360° rotating focus
360° giratoire
Rotierende spot 360°

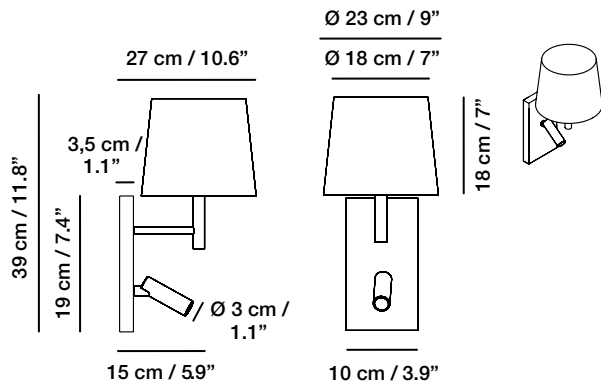
Con 2 interruptores en la base
With 2 switches on the base
Avec 2 interrupteurs sur la base
Mit 2 Schaltern an der Basis



Medidas / Measures / Measurements / Mittengun

JERRY-HOTEL A

Pantalla cónica / Conical shade



JERRY-HOTEL B

Pantalla piramidal / Pyramidal shade

