

indoor

Kotai

Rectangular high dining table / mesa rectangular alta

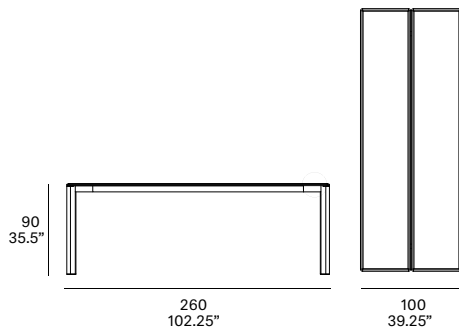
Mario Ruiz, 2015/2021

T477 260



Structure made of solid wood profile from European oaks. Tabletop made of solid wood from European oaks with 0.83" of section. Also available in European oak veneer. Delivered unassembled.

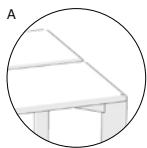
Estructura fabricada en perfilera maciza de roble europeo. Tapa fabricada en madera maciza de roble europeo de 21 mm de sección. Existe una versión en tablero chapado de roble europeo. Se sirven desmontadas.



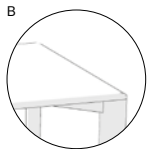
Shipment details

Qty	1 dining table (1 box)
Volume	0,38 m ³ / 13.4 ft ³
Gross weight	75 kg / 165.3 lb
Net weight	67 kg / 147.7 lb
Item dimensions (width x depth x height)	260 x 100 x 90 cm 102.25" x 39.25" x 35.5"

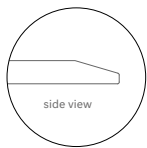
Tabletop options:



- 2 slats solid wood top
21 mm/0.83" thick.



- single veneered top
21 mm/0.83" thick.



- 21 mm/0.83" thick.

expormim

Expormim S.A.
Pol. Ind. Jaime I
46640 Moixent (Valencia) Spain
+34 962 295 144/5
export@expormim.com
www.expormim.com

Expormim USA LLC
(212) 204-8572
usa@expormim.com
www.expormim.com

1/2

indoor

Solid wood / madera maciza



W01 natural oak



W03 light oak



W02 white stained



W04 black stained

Veneered / tablero chapado



W01 natural oak



W03 light oak



W02 white stained



W04 black stained



expormim

Expormim S.A.
Pol. Ind. Jaime I
46640 Moixent (Valencia) Spain
+34 962 295 144/5
export@expormim.com
www.expormim.com

Expormim USA LLC
(212) 204-8572
usa@expormim.com
www.expormim.com