

ECLIPSI

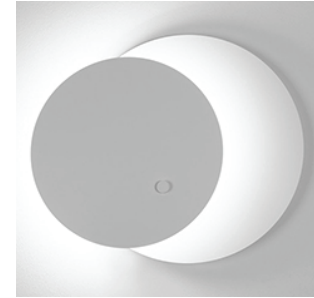
A-3700 / A-3701

wall light / ceiling light

Date	Type
Project	
Location	
Model #	Quantity
Specifier	

Description

Metallic wall and ceiling light providing indirect light. Front plate pivots.

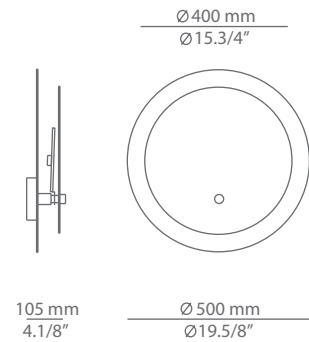


Pictures above might not show the specified dimensions or material. They are for illustration purposes only.

Ordering information

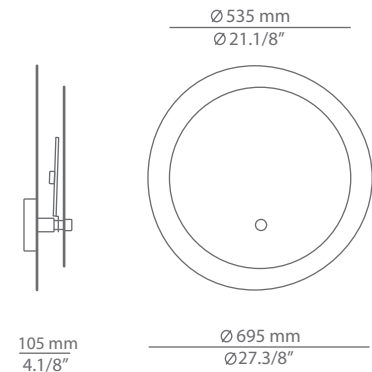
Product Code	Lamp
A-3700 / t-3700	LED 2x10W (led included) F (2700K / Ang 120° / >90 CRI) 230V / Typ* 2x870 lumens / Dimmable Triac Weight: 4,5kg / 9.92lb

Finish
74 WH White
CUSTOM



Product Code	Lamp
A-3701 / t-3701	LED 2x15W (led included) F (2700K / Ang 120° / >90 CRI) 230V / Typ* 2x1245 lumens / Dimmable Triac Weight: 8,5kg / 18.74lb

Finish
74 WH White
CUSTOM

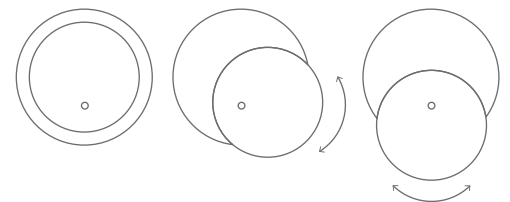


SPECIAL REQUIREMENTS

Custom finishes and versions

We offer custom RAL finishes.

Alternate lamping and sizes available for projects. Consult our offices.



Special instructions
