

TECHNICAL CHARACTERISTICS

BLAN2ETK

Lana

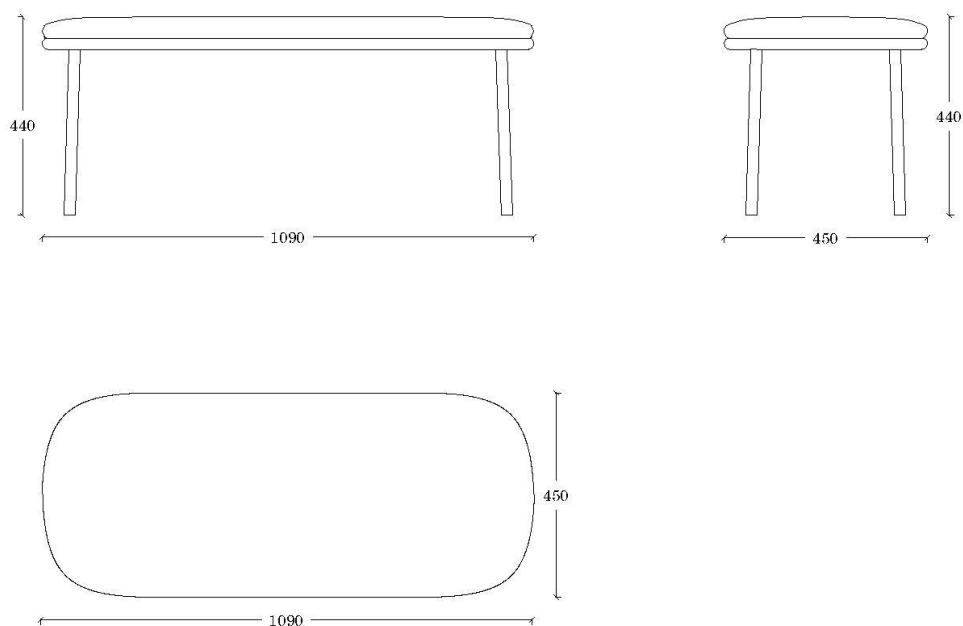
Ottoman Steel

Lana steel ottoman, with its structure in steel and upholstered seat, makes it the perfect accessory for the steel easy chairs and sofas.

DESIGNED BY YONOH



ondarreta



DIMENSIONS

109 cm x 44 cm x 42 cm
(22.8" x 24" x 26")
[width x depth x height]

WEIGHT

7,9 kg (17.4 lb)

PACKAGING

One per box, box dimensions:
109 cm x 44 cm x 42 cm
(42.9" x 17.3" x 16.5").

ORIGIN

100% Made in Europe

DESIGN

Yonoh



COMPONENTS

FRAME

Material

25 mm (0.98") side and 2 mm (0.08") thickness cold laminated E-420 quality (EN-10305 Normative) steel tube.
Tensile Strength > 490 N/mm² (71,069 psi);
Elastic Limit > 420 N/mm² (60,916 psi); Elongation > 12%

Finishes

Colour Epoxy

SEAT & BACK

Fabrics

8 mm (0.31") thick plywood board shell. Medium density polyether stuffing foam of 50 mm (1.97") thick for the seat and 40 mm (1.57") thick for the back.

Wood's Technical Characteristics:

Urea-formol glue: low formaldehyde emission (E1 European Normative)

The wood has the PEFC certificate.

METAL FINISHES

EPOXYS

Powder covering formulated with polyester resins, with good both mechanical and chemical properties, outdoor maximum resistance and noxious compounds free. Electrostatic application and oven cured at 200°C (392°F).

Technical Characteristics:

Thickness (ISO 2360): between 60 and 90 µm.

Adherence (ISO 2409): Grade: 0 (maximum adherence)).

COM REQUERIMIENTS

Lana Ottoman: necessary fabric for upholstering: 90 cm (35.4") width/unit

