

# HeadHat

## Ceramic / Metallic

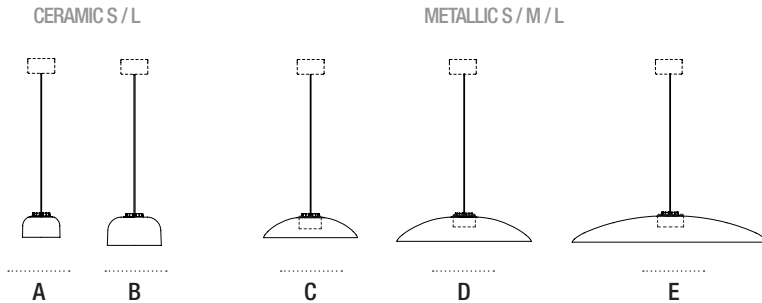
Santa & Cole Team, 2013  
Hanging lamps



reddot design award  
winner 2013



GOLD  
ADI FAD 2013



A flexible set of hanging lamps with shades (Hats) of differing sizes and materials that give multiple uses to an ingenious light capsule (Head), forming a simple system with a minimalist and flexible design that gives great warmth to LED lighting. Its interchangeable, modular components and technology make this a product with a long life cycle and easy to recycle. HeadHat fosters good heat dissipation, a lighting experience without glare and is straightforward for users to set up.

### GENERAL DESCRIPTION

Capsule with LED module, translucent white diffuser and dissipater with black matte finish.

5 lampshade options:

(A / B) White ceramic with matte finish interior and gloss exterior.

2 sizes: S or L.

(C / D / E) White metallic shade with matte finish. Includes coupling washer in white engineering plastic. 3 sizes: S, M or L.

White methacrylate diffuser (optional).

(A / B / C / D / E) 3 metallic circular ceiling plate options with a smooth matte finish and equipment incorporated (non adjustable): white recessed (CE market) / white or black surface-mounted.

2 metallic circular ceiling plate options with a smooth matte finish and equipment incorporated white or black surface-mounted. (adjustable 1-10V).

Black electric cable length: 3 m / 117" or 8 m / 312".

### LIGHT SOURCE

Strip of LEDs.

Power system: 3,7 W

Operating current: 350 mA

T<sup>a</sup> Colour: 2.700 K

Typical CRI: 85

Lifetime: 40.000 h

Luminous flux: 301 lm

Built-in LED HEFD01 and HEFD02:

Power system: 7,7 W

Operating current: 700 mA

T<sup>a</sup> Colour: 2.700 K

Typical CRI: 83

Lifetime: 40.000 h

Luminous flux with LED capsule: 518 lm

Built-in LED.

Energy efficiency class (E.E.C): A+... A.

Lamp suitable only for indoor use.

Lamps suitable for dimming systems

1-10V

Not included external dimmer switch 1-10V

Always use this light source.

Input voltage: 108 ~ 264 VAC

(50 Hz / 60 Hz) According to destination.

HEFD01 and HEFD02:

Input voltage: 90~ 305 VAC

(50 Hz / 60 Hz) According to destination.

Luminous performance with lampshade:

Ceramic S: 84,1%

Metallic: 99,9%



---

#### APROXIMATE WEIGHT (unpacked)

Built-in or surface rosette. : 0,7 kg / 1.5 lb

LED capsule with cable length of 3m o 8m: 0,4 kg / 0.8 lb

#### Lampshades

(A) Ceramic S: 0,3 kg / 0.6 lb

(B) Ceramic L: 0,5 kg / 1.1 lb

(C) Metallic S: 0,4 kg / 0.8 lb

(D) Metallic M: 0,8 kg / 1.7 lb

(E) Metallic L: 2 kg / 4.4 lb

---

#### REGULATIONS

CE

⊕

IP 20

UNE-EN 60598

UNE-EN 55015

UNE-EN 62031

UNE-EN 60529

UNE-EN 61000-3-2

UNE-EN 61347-2-13



Class 2

Dry location only

UL-1598

UL-8750

E-336377

---

#### MAINTENANCE

Clean with a smooth cloth. It is advised not to use any ammonia, solvent or abrasive products.

#### OTHERS

The lamp are delivered in different packets.

The assembly instructions are delivered with the product.

MODELS

