

ASSEMBLY INSTRUCTION  
3220-MQ2101SF-2115



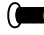
	Design	Size	Qty		Design	Size	Qty
A		4mm	1	B		M6*40	28
C		M6*25	30				

FIG.  
1

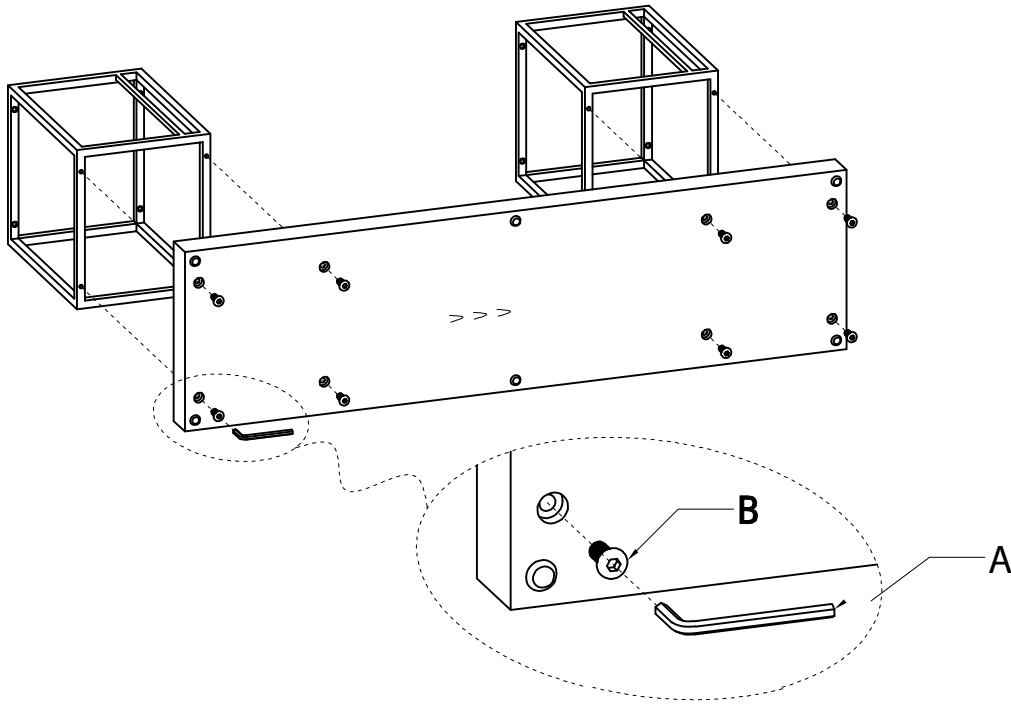
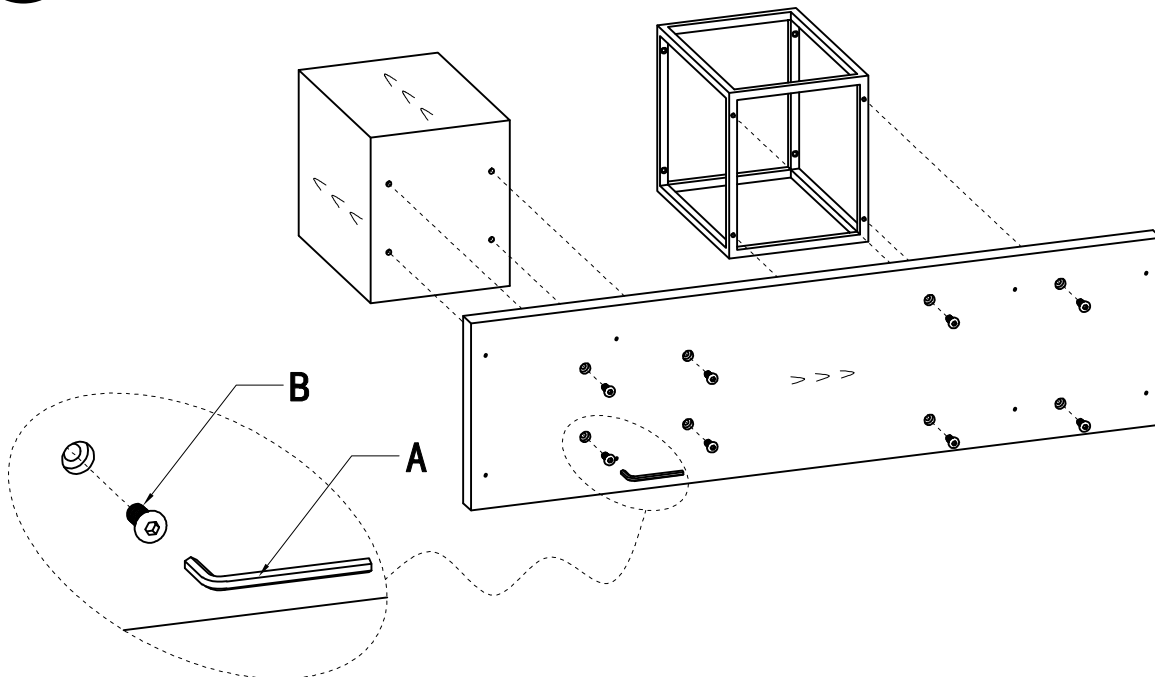
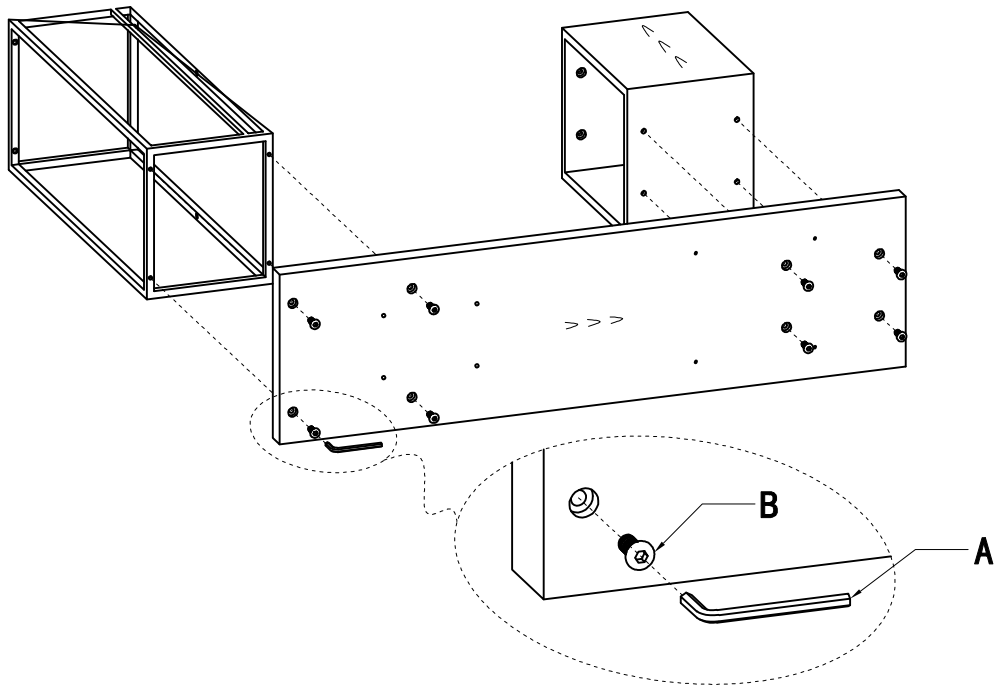


FIG.  
2



**FIG.**  
**3**



**FIG.**  
**4**

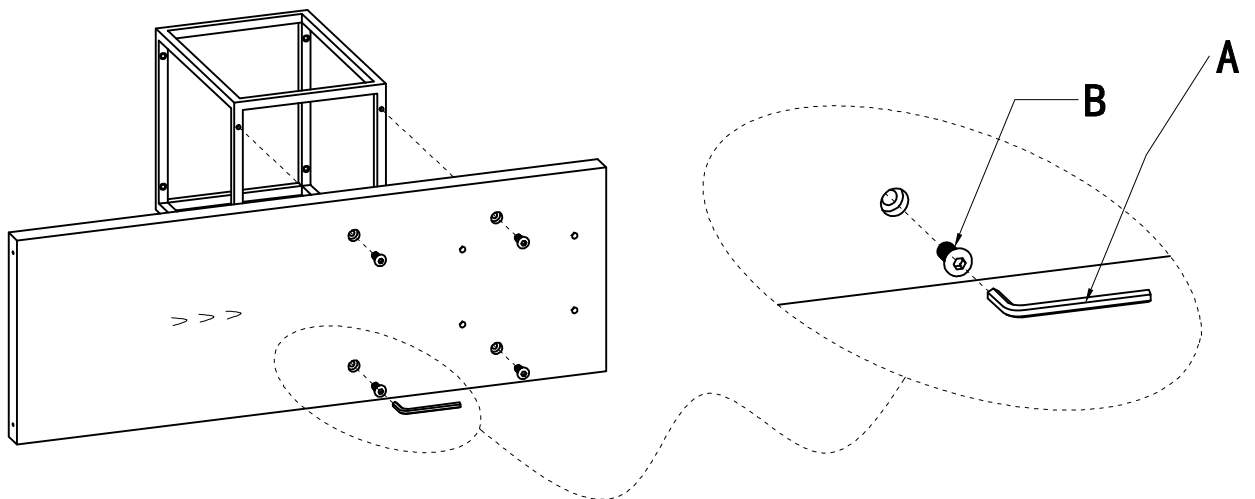


FIG.  
5

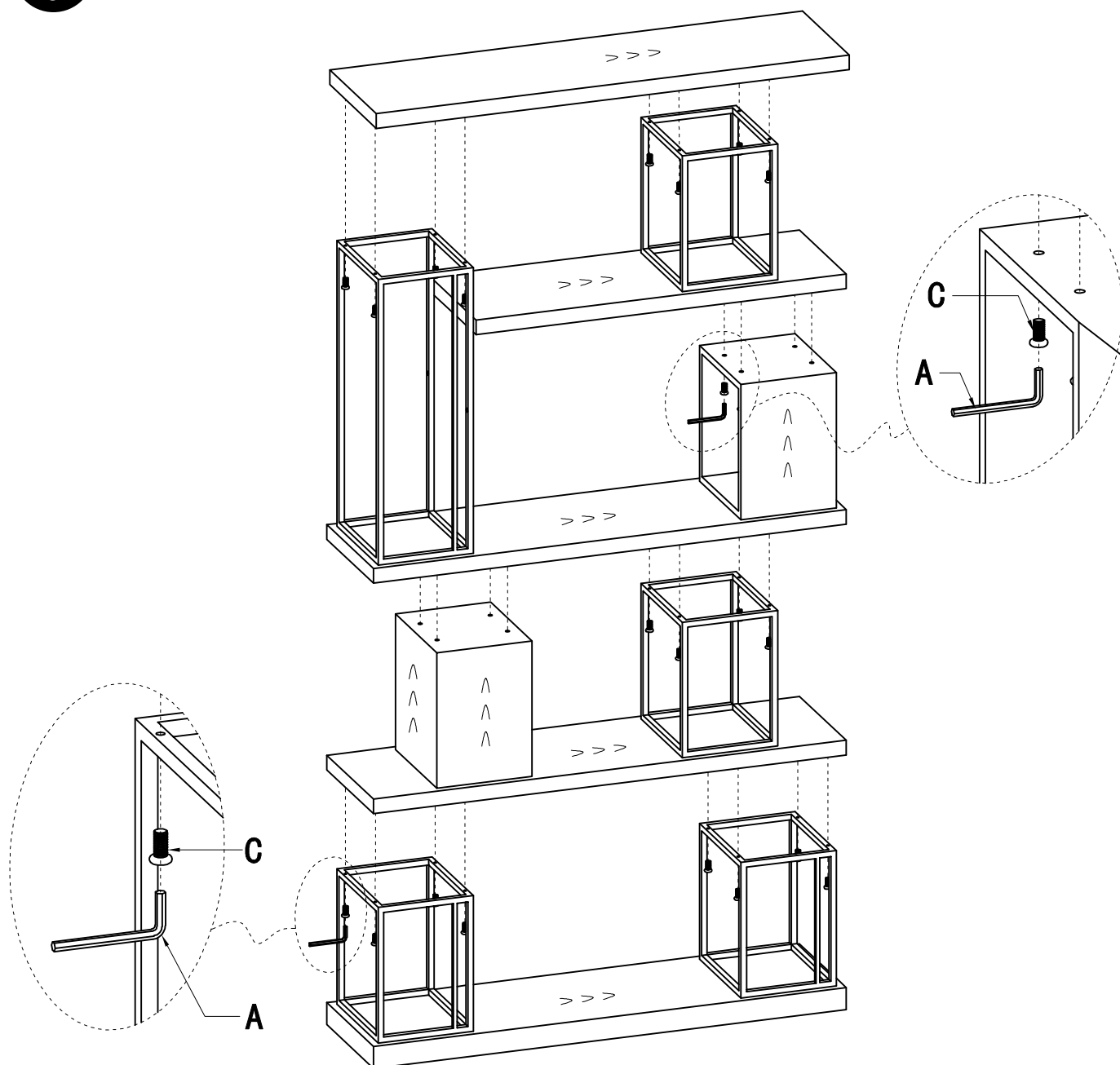


FIG.  
6

