

# ASSEMBLY INSTRUCTION

## 3053-CP1302-F-1097



A x7  
Spec: M6\*25



B x7  
Spec:  $\varnothing 8 \times \varnothing 18$



C x10  
Spec:  $\varnothing 3.8 \times L50$



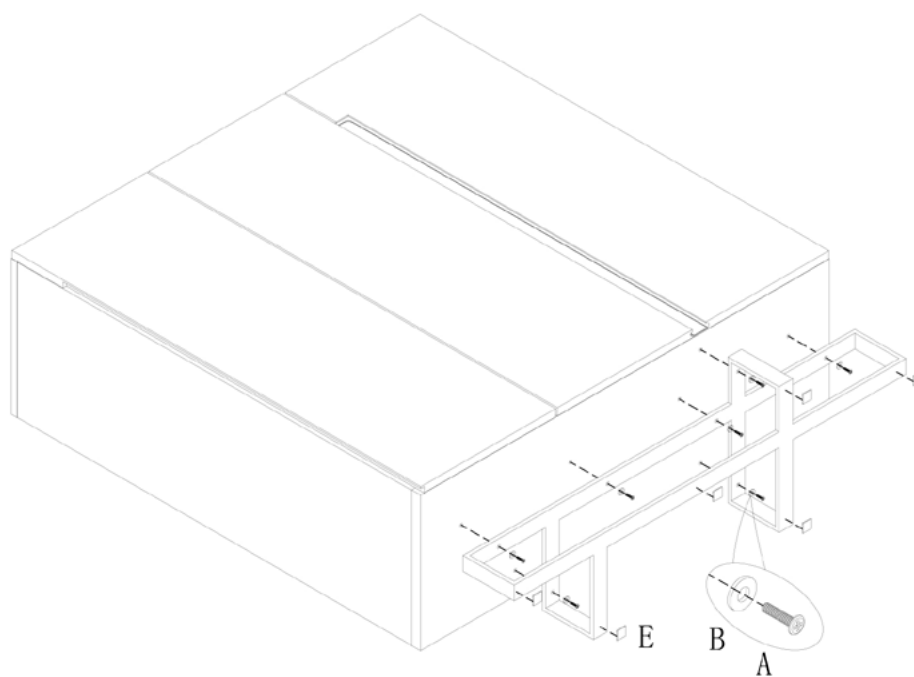
D x10  
Spec:



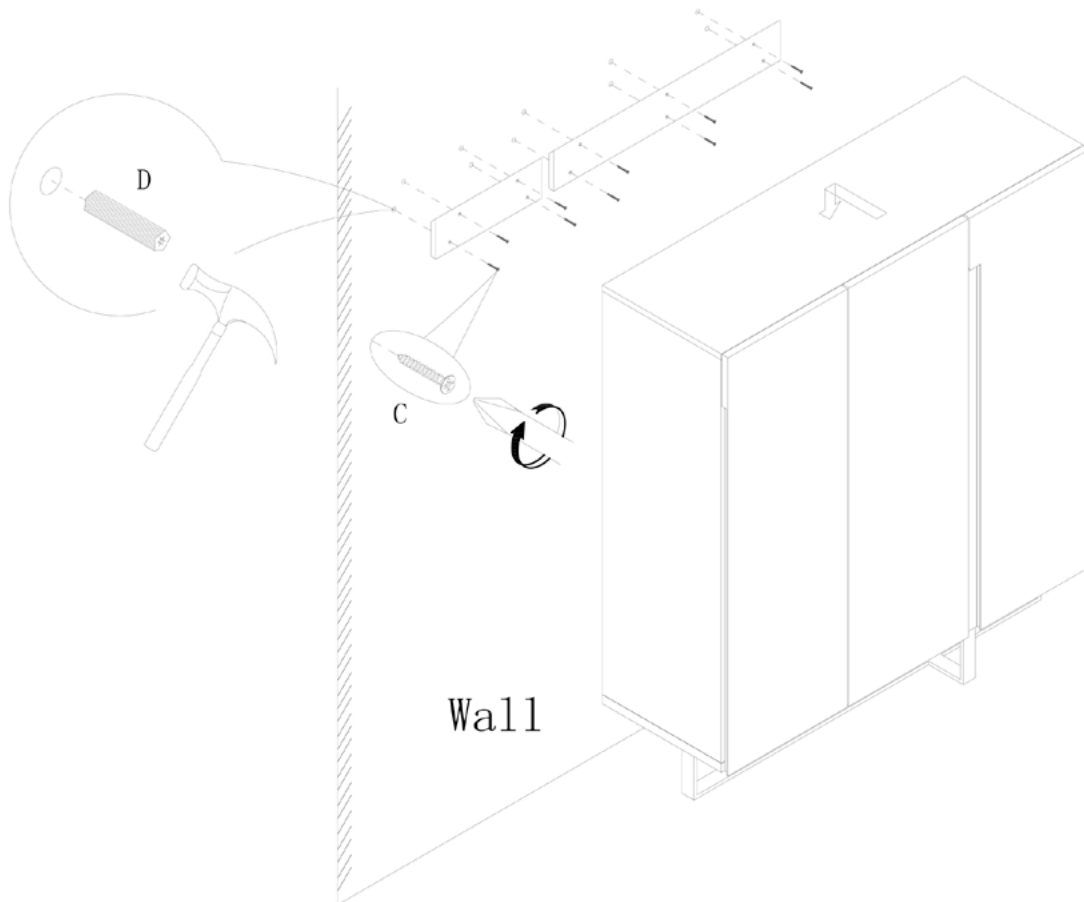
E x6  
Spec: 38\*38mm



FIG.  
1



**FIG.**  
**2**



**FIG.**  
**3**

