




| | | | | | | | |
|---|---|----------|---|---|---|-----|---|
| A |  | M8*25mm | 6 | B |  | 5mm | 1 |
| C |  | 8*17*1.2 | 6 | D | | | |

FIG.
1

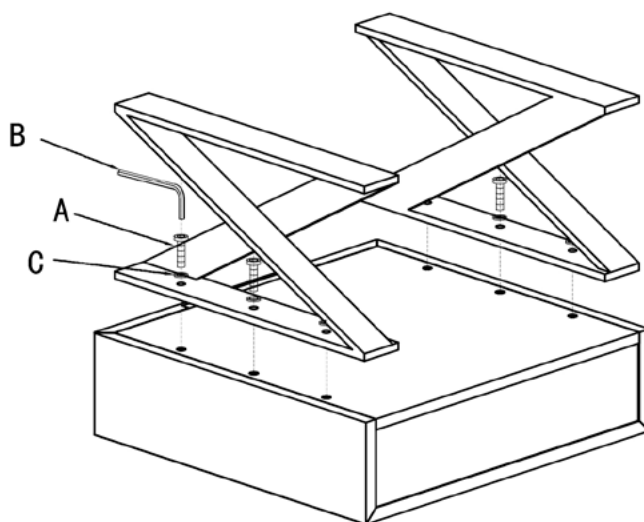


FIG.
2

