

# ASSEMBLY INSTRUCTION

## 2047-CP1806-I-1771



A x12  
Spec: M6\*30



B x12  
Spec: Ø8.2\*Ø14=

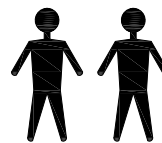
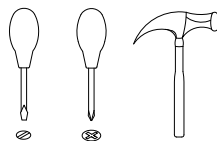


FIG.  
1

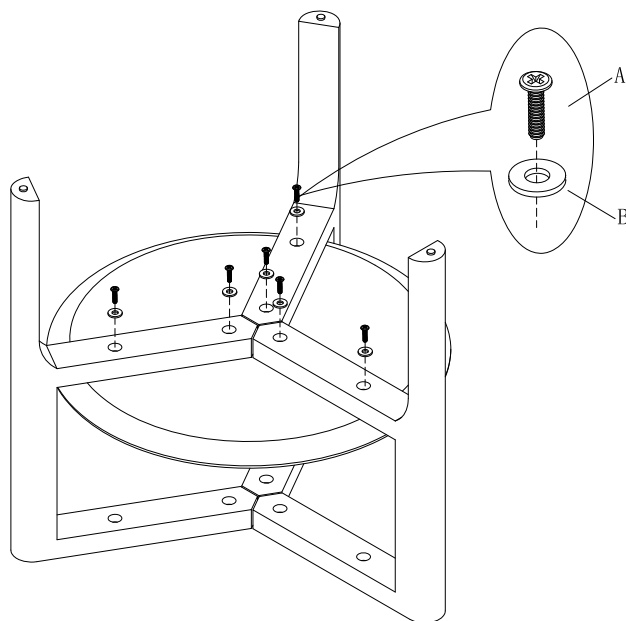


FIG.  
2

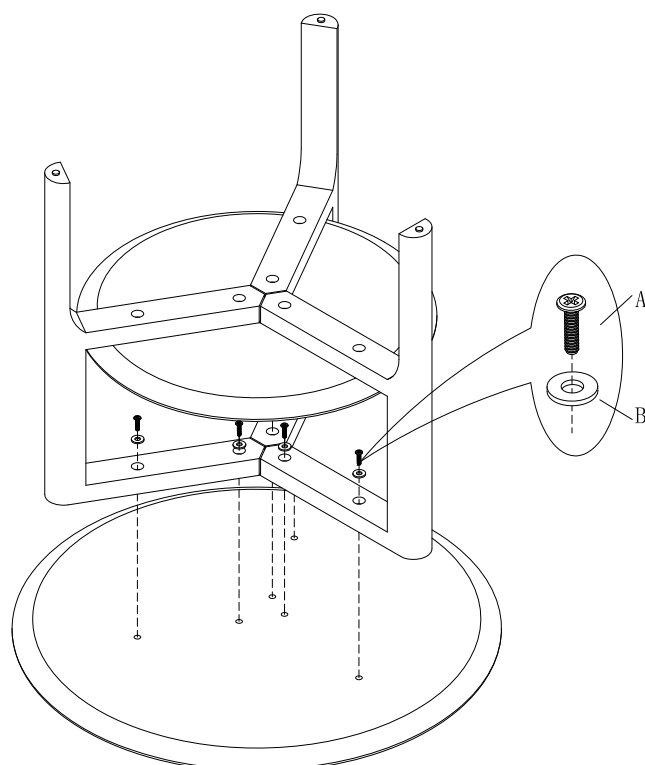


FIG.  
3

