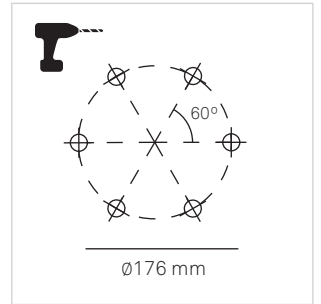


# Indoo

PX-0134

FOR  
LIGHT



1. Turn the switch OFF. Remove the top cap and the main body of the light fixture.

2. Connect the power wires to the terminal block. The terminal block is labeled L (Line) and N (Neutral).

3. Mount the light fixture to the ceiling using the provided screws. The mounting holes are spaced 60 degrees apart and have a diameter of 176 mm.

4. Tighten the screws to secure the fixture to the ceiling.

5. Insert the provided screws into the bottom of the main body to secure it.

6. Insert the E-27 LED light bulb into the main body.

7. Attach the top cap to the main body.

8. Turn the switch ON. The light fixture is now installed and ready for use.

