

## Milos puff m

by Jean-Marie Massaud

The Milos collection is the fruit of **Vondom's first collaboration with French designer Jean-Marie Massaud**. An example of how simplicity and functionality can be combined to create an elegant and comfortable outdoor furniture collection. Characterised by soft curves, this collection focuses on comfort. A collection that won the Red Dot Design Award 2024.



## Info

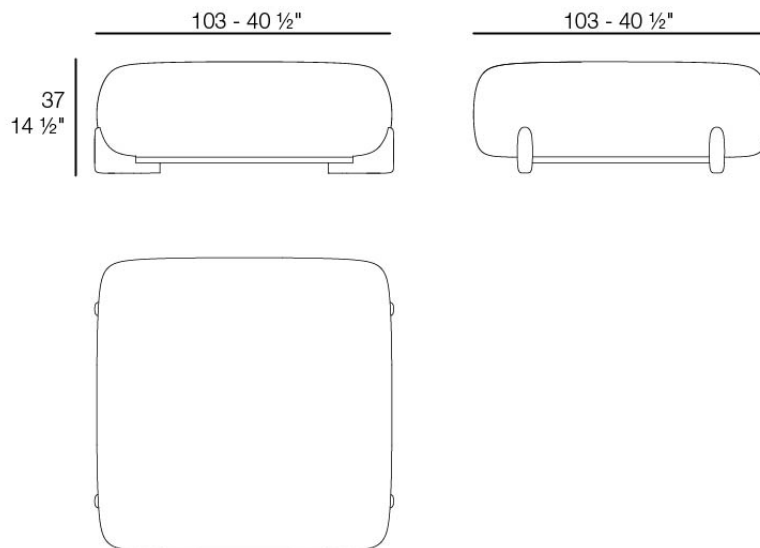
---

### Description

This modular sofa combines the durability of flexible polyurethane foam with the natural beauty of iroko wood.

Its design integrates top-quality solutions and materials, especially conceived to withstand outdoor conditions without compromising warmth and comfort.

Weight: 13.9 Kg



MILOS Puff M  
MILOS Ottoman M  
Ref. 70029

## Finishes

---

### finishes

---

POLYURETHANE

Ref. 70029

Furniture made of flexible polyurethane injected cold. This material possesses a high resilience and durability.

