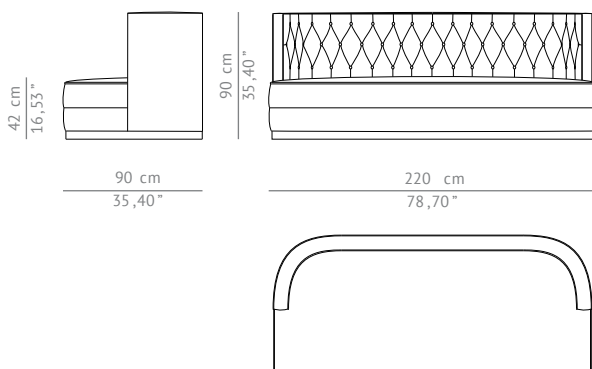




BOURBON | SOFA

The royalty, class and luxury of the Bourbon dynasty, represented by Louis XIV, inspired the velvet BOURBON sofa, which makes up any refined ambience.



DIMENSIONS

WIDTH	220 cm 78,7"
DEPTH	90 cm 35,40"
HEIGHT	90 cm 35,40"
SEAT HEIGHT	42 cm 16,53"
SEAT DEPTH	78 cm 30,70"

MATERIALS

FABRIC	Cotton velvet
FABRIC REFERENCE	BB MOSS I - Colour 30
FABRIC NEEDED	10 mts 393,7" (Standard width 1,40mts 55")
BASE	Matte aged brass

FABRIC / LEATHER REQUEST

COM	10 mts 393,7" (Standard width 1,40mts 55")
COL	154 sq ft

PACKAGING

DIMENSIONS	W 227 cm 89,37" D 97 cm 38,18" H 97 cm 38,18"
VOLUME	2,13 m ³ 75,22 ft ³
WEIGHT	90kg 198 lbs

LEAD TIME

Production time is between 6 to 8 weeks for BRABBU collections.
Delivery time is not included.

All of our furniture can be made to measure and it is available in different finishes.

Please note that the colours and materials shown are for reference only and small variations may occur.